

Quick-Set Remodel Recessed Downlight

1000 to 7500 Lumens. 6" and 8" Apertures

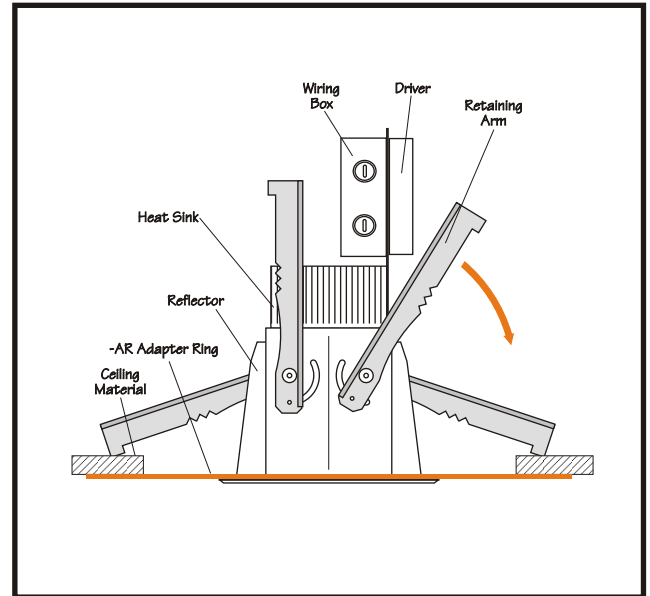
Quick-Set Remodel Recessed Downlight

Peachtree Lighting's family of Quick-Set Remodel Downlights deliver new construction LED performance for the most challenging lighting retrofit projects.

The R6B, R8B and R8H deliver the same lighting performance, configurations and options as our new-construction products. With 1,000 to 5,500 delivered lumens, these products are suitable for many commercial and institutional applications.

With easy, install-from-below Installation, the Quick-Set is ideal for ceilings without top access or applications where you don't want to fully open the plenum.

After removing the existing, the Quick-Set simply slides into the existing opening and is locked into place with lock-from-below swing arms.



The Quick-Set family is designed to fit existing ceiling openings from 7 1/8" to 10".

R6B



6" aperture

- 1,000 to 3,600 lumens
- CRI: 80+ and 90+
- Dimming: 0-10v to 1%, Triac to 1%
- Medium distribution

Key dimensions

- Fits opening from 7 1/8" to 10" (with adapter ring)
- Height: 13 3/4"

R8B



8" aperture

- 2,000 to 5,500 lumens
- CRI: 80+ and 90+
- Dimming: 0-10v to 1%, Triac to 1%
- Medium distribution

Key dimensions

- Fits opening from 8" to 10" (with adapter ring)
- Height: 14 7/8"

R8H



8" aperture

- 2,500 to 5,500 lumens
- CRI: 80+ and 90+
- Dimming: 0-10v to 1%, Triac to 1%
- Narrow, Medium and Wide distributions

Key dimensions

- Fits opening from 8" to 10" (with adapter ring)
- Height: 15" for 2,500-4,000 lumen configurations. 19" for 5,500 lumen configuration.

Installs as easy as 1 - 2 - 3!

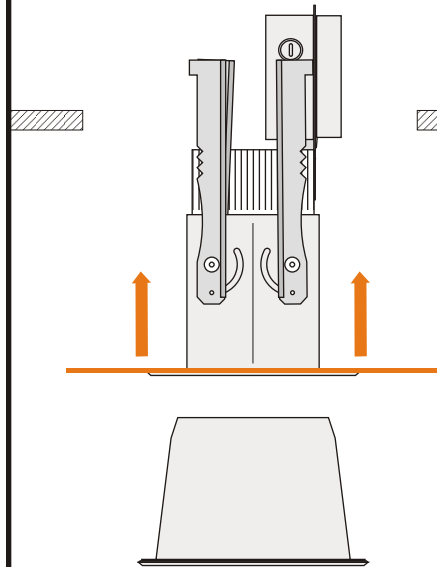
The Quick-Set family of recessed downlights is engineered to ensure simple, reliable upgrading of traditional source downlights to modern LED sources.

STEP 1:

Detach power from old fixture and remove it or push it to the side. (In some cases, the existing pan can be left in place). Drop power through the opening.

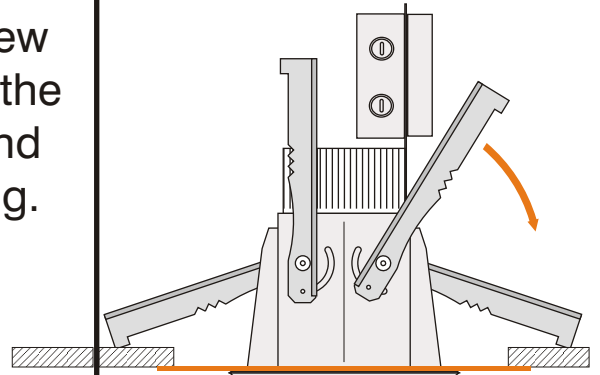
STEP 2:

Attach power to new fixture, raise it into the ceiling opening and center adapter ring.



STEP 3:

Hold fixture and adapter ring flush to ceiling. Lower retaining arms into place and secure tightly with wing nuts. Install Reflector.



Detailed instruction sheets for the R6B, R8B and R8H are available on PeachtreeLighting.com.

Trial Installations

Every lighting renovation project is different. We want to make sure your project goes smoothly and your customers are pleased with the product and process. To ensure your success, we offer a trial installation program from the Quick-Set Remodel products. To request a sample for trial installation, contact sales@peachtreelighting.com.

	DELIVERED LUMENS @ 35K	COLOR TEMP.	CRI	REFLECTOR	ADAPTER RING	REFLECTOR OPTIONS	OPTIONS	VOLTAGE		
R6BLRD										
REMODEL 6" LED Round Recessed Downlight	-50	4770 lumens	-30K	3000 K	-80	-SH Soft Haze	-AR9 9" O.D.	-RC Reg. Clear Temp. Glass Lens	-F Fusing	-120
	-30	2952 lumens	-35K	3500 K	-90	-W White*	-AR12 12" O.D.	-RCA Reg. Clear Acrylic Lens	-DIMLV1 0-10v Dimming to 1%	-277
	-20	2099 lumens	-40K	4000 K		-B Black*		-RPG Reg. Prismatic Temp. Glass Lens	-DIMT1 Triac Dimming to 1%	Voltage MUST be Specified
	-12	1190 lumens				* Powder Coat Finish		-RPA Reg. Prismatic Acrylic Lens	-EML1 Emergency	
							-TRW Trim Ring White	Emergency Options Use Remote Mount Test Switch		
							-TRB Trim Ring Black			
							<i>Regressed lens holder is white as standard</i>			

	DELIVERED LUMENS @ 35K	COLOR TEMP.	CRI	REFLECTOR	ADAPTER RING	REFLECTOR OPTIONS	OPTIONS	VOLTAGE		
R8BLRD										
REMODEL 8" LED Round Recessed Downlight	-50	5147 lumens	-30K	3000 K	-80	-SH Soft Haze	-AR10 10" O.D.	-RC Reg. Clear Temp. Glass Lens	-F Fusing	-120
	-35	3359 lumens	-35K	3500 K	-90	-W White*	-AR12 12" O.D.	-RCA Reg. Clear Acrylic Lens	-DIMLV1 0-10v Dimming to 1%	-277
	-25	2335 lumens	-40K	4000 K		-B Black*		-RPG Reg. Prismatic Temp. Glass Lens	-DIMT1 Triac Dimming to 1%*	Voltage MUST be Specified
	-18	1789 lumens				* Powder Coat Finish		-RPA Reg. Prismatic Acrylic Lens	-EML1 Emergency	
							-TRW Trim Ring White	*Triac 120v Only		
							-TRB Trim Ring Black	Emergency Options Use Remote Mount Test Switch		
							<i>Regressed lens holder is white as standard</i>			

	DELIVERED LUMENS @ 35K	DISTRIBUTION	COLOR TEMP.	REFLECTOR	ADAPTER RING	REFLECTOR OPTIONS	OPTIONS	VOLTAGE			
R8HLRD											
REMODEL 8" LED Round Recessed Downlight	-55	5549 lumens*	-N	Narrow 20°	-30K	3000 K	-SH Soft Haze	-AR10 10" O.D.	-RC Reg. Clear Temp. Glass Lens	-F Fusing	-120
	-40	4064 lumens	-M	Medium 45°	-35K	3500 K	-W White*	-AR12 12" O.D.	-RCA Reg. Clear Acrylic Lens	-DIMLV1 0-10v Dimming to 1%	-277
	-30	3127 lumens	-W	Wide 80°	-40K	4000 K	-B Black*		-RPG Reg. Prismatic Temp. Glass Lens	-DIMT1 Triac Dimming to 1%	Voltage MUST be Specified
	-25	2527 lumens					* Powder Coat Finish		-RPA Reg. Prismatic Acrylic Lens	-EML1 Emergency	
								-TRW Trim Ring White	Emergency Options Use Remote Mount Test Switch		
								-TRB Trim Ring Black			
							<i>Regressed lens holder is white as standard</i>				

Dimensions and specifications in this literature are subject to change.



7230 Industrial Blvd.
Covington, GA 30056
770-787-8490

www.peachtreelighting.com

Made In The
USA