



RDP

Remote Driver Panel

Remotely drive up to 8 LED luminaires

Self-contained enclosure
Ideal for MRI rooms and imaging suites

Pre-wired and ready install. Simply feed in power and run low-voltage wire to driverless LED fixtures.

APPLICATIONS

- Ideal for MRI and Imaging suite.
- Suitable for high mountings and/or hard ceilings, where drivers would be inaccessible for maintenance.
- For use when higher temperature ceilings call for moving drivers to conditioned space.

MECHANICAL

- Driver box controls up to 8 remote LED luminaires.
- Easily mounts to wall in control room, utility room or electrical closet.
- 20 gauge galvanized steel box.

ELECTRICAL

- 0-10v dimming drivers, dimming to 1%
- 1 or 2 zones per driver box
- Drivers can be located up to 500 feet from luminaire when using 18-gauge wire. Consult factory for distances over 500 feet.
- Instructions are included for wiring options to create up to two zones with an even number of luminaires in each zone.

MRI System Requirements

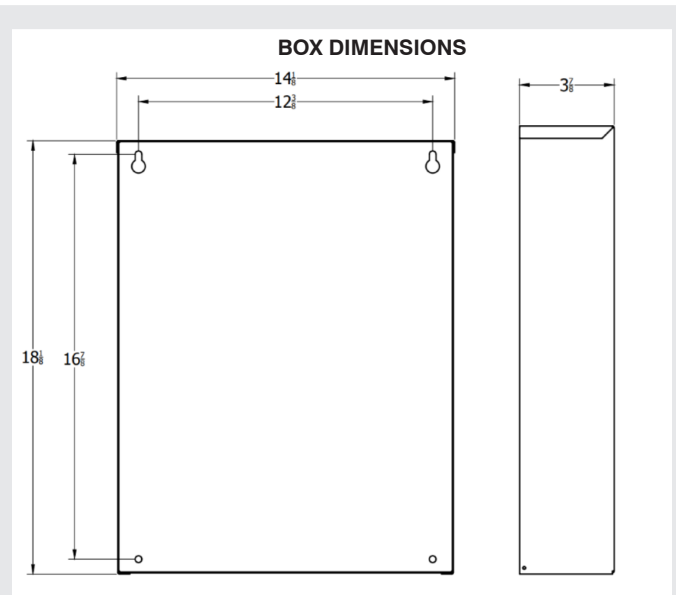
- Complements every Peachtree MRI system.
- Room Filter Panel (RFP) required for use with Peachtree MRI systems

LISTINGS

UL 2108:2015 ED. 2+R:30May2017

Standard 5-year Peachtree warranty.

Type	Job Ref.
------	----------



RDP			
	TOTAL NUMBER LUMINAIRES	DRIVE RATE (mA)*	VOLTAGE
Remote Driver Panel	-1 1 luminaires	-350 350 mA	-120/277
	-2 2 luminaires	-700 700 mA	
	-3 3 luminaires	-1050 1050 mA	
	-4 4 luminaires	-1400 1400 mA	
	-5 5 luminaires		
	-6 6 luminaires		
	-7 7 luminaires		
	-8 8 luminaires		

* Refer to Page 2 Drive Rate Table to determine delivered lumens





RDP

Remote Driver Panel

Family Options

Drive Rate Table						
Drive Rate COB LES (mm)	350 10	700 13	1050 18	1400 18	1050 29	1400 29
DOWNLIGHTS						
3BLRD	3BLRD-08 (800 lumens)	3BLRD-22 (2121 lumens)	-	-	-	-
4BLRD	-	4BLRD-22 (2273 lumens)	4BLRD-32 (3217 lumens)	4BLRD-42 (4169 lumens)	-	4BLRD-55 (5488 lumens)
4BLRD-S	-	4BLRD-S-22 (2384 lumens)	-	-	-	-
5BLRD	-	-	-	-	-	5BLRD-55 (5080 lumens)
6BLRD	-	6BLRD-22 (2384 lumens)	6BLRD-32 (3335 lumens)	6BLRD-42 (4309 lumens)	-	6BLRD-60 (5689 lumens)
6BLRD-S	-	6BLRD-S-22 (2384 lumens)	-	-	-	-
8BLRD	-	8BLRD-25 (2335 lumens)	8BLRD-35 (3359 lumens)	8BLRD-45 (4279 lumens)	-	8BLRD-60 (6360 lumens)
12BLSD	-	-	-	12BLSD-40 (4009 lumens)	-	12BLSD-55 (5281 lumens)
6HLRA	-	6HLRA-18 (1668 lumens)	-	-	-	-
DOWNLIGHTS WITH DISTRIBUTIONS						
4BLRD-D	-	4BLRD-D-17 (1708 lumens)	4BLRD-D-22 (2391 lumens)	4BLRD-D-30 (3105 lumens)	-	4BLRD-D-40 (4099 lumens)
5BLRD-D	-	5BLRD-D-17 (1529 lumens)	5BLRD-D-23 (2164 lumens)	5BLRD-D-30 (2797 lumens)	-	5BLRD-D-35 (3691 lumens)
6BLRD-D	-	6BLRD-D-20 (1952 lumens)	6BLRD-D-25 (2732 lumens)	6BLRD-D-35 (3530 lumens)	-	6BLRD-D-45 (4660 lumens)
8BLRD-D	-	8BLRD-D-18 (1619 lumens)	8BLRD-D-25 (2237 lumens)	8BLRD-D-30 (2849 lumens)	-	8BLRD-D-40 (4098 lumens)
CYLINDERS						
C6BLR	-	C6BLR-23 (2316 lumens)	-	-	-	-
C9BLR	-	-	C9BLR-30 (3323 lumens)	C9BLR-40 (4294 lumens)	C9BLR-50 (4671 lumens)	-
C10BLR	-	-	-	C10BLR-45 (4279 lumens)	-	C10BLR-60 (5728 lumens)
MRIs						
4BLRD-MRI	-	4BLRD-MRI-22 (2273 lumens)	4BLRD-MRI-32 (3217 lumens)	4BLRD-MRI-42 (4169 lumens)	-	-
4BLSD-MRI	-	4BLSD-MRI-20 (1914 lumens)	4BLSD-MRI-27 (2709 lumens)	4BLSD-MRI-35 (3495 lumens)	-	-
4BLSW-MRI	-	4BLSW-MRI-08 (654 lumens)	4BLSW-MRI-10 (925 lumens)	4BLSW-MRI-12 (1195 lumens)	-	-
6BLRD-MRI	-	6BLRD-MRI-22 (2384 lumens)	6BLRD-MRI-32 (3335 lumens)	6BLRD-MRI-42 (4309 lumens)	-	6BLRD-MRI-60 (5689 lumens)
6BLSD-MRI	-	6BLSD-MRI-22 (2356 lumens)	6BLSD-MRI-32 (3335 lumens)	-	6BLSD-MRI-42 (4320 lumens)	6BLSD-MRI-60 (5689 lumens)
6HLRA-MRI	-	6HLRA-MRI-18 (1668 lumens)	-	-	-	-
12x12 MIMO-MRI	-	12x12 MIMO-MRI	-	-	-	-
P5LD-MRI	-	P5LD-MRI-25 (2736 lumens)	-	-	-	-

Consult factory for other families or other lumen options.

