

Type	Job. Ref.
------	-----------



R8BLRD

Remodel 8" LED Recessed Downlight

1700 - 5000 Lumens

PRODUCT SPECIFICATION DATA

MECHANICAL

- Precision formed 18 ga. galvanized steel ceiling support ring and mechanical retaining arms
- Accommodates 1/2" to 4" ceiling thickness

ELECTRICAL

- Serviceable and upgradable light engine.
- Power supply is overload and short circuit protected
- Standard with 0-10V dimming (1-100%)
- Electrical components UL 8750 recognized

OPTICAL

- Self-flanged lower reflector
- Medium distribution standard. Lens options for narrow, medium, wide and wall wash distributions.

PERFORMANCE

- CCT: 3000K; 3500K; 4000K @ 80+ CRI
- 70% lumen maintenance at 50,000 hours based on IESNA LM-80-2008.

Conforms to 1598 Standards

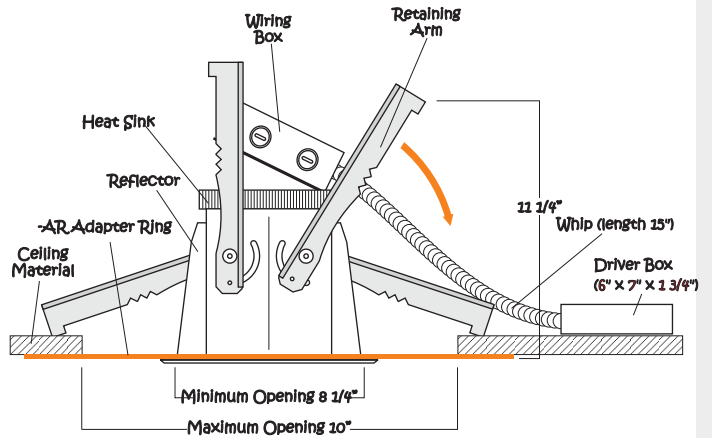
5 Year limited warranty.

Quick Set Remodel



0-10v Dimming Standard

LED



Which Adapter Ring Do I Need?

8" to 9" opening - AR10, 10" adapter ring.
 8" to 10" opening - AR10, 12" adapter ring.
 Opening larger than 10" - Consult Factory.



Dimensions and specifications in this literature are subject to change.

	DELIVERED LUMENS @ 35K	COLOR TEMP.	CRI	REFLECTOR	ADAPTER RING	REFLECTOR OPTIONS	OPTIONS	VOLTAGE		
R8BLRD										
REMODEL 8" LED Round Recessed Downlight	-45	4364 lumens	-30K	3000 K	-80	-SH Soft Haze	-AR10 10" O.D.	-RND Narrow Distribution*	-F Fusing	-120
	-35	3368 lumens	-35K	3500 K	-90	-W White*	-AR12 12" O.D.	-RMD Medium Distribution*	-DMT1 Triac Dimming to 1%*	-277
	-25	2380 lumens	-40K	4000 K		-B Black*		-RWD Wide Distribution*	-EML1 Emergency	
	-18	1765 lumens						-RWWD Wall Wash Distribution*	-TG Trim Gasket (must use lens)	Voltage MUST be Specified
						* Powder Coat Finish	Adapter Rings White unless otherwise specified.	-RC Reg. Clear Temp. Glass Lens		
								-RCA Reg. Clear Acrylic Lens		
								-RPG Reg. Prismatic Temp. Glass Lens	* Triac 120v Only	
								-RPA Reg. Prismatic Acrylic Lens	Emergency Options Use Remote Mount Test Switch	
								-TRW Trim Ring White		
								-TRB Trim Ring Black		
									* See Page 2 for Distribution Performance	
										Regressed lens holder is white as standard



© 2019 Peachtree Lighting LLC

770-787-8490 • www.peachtreelighting.com

R8BLRD



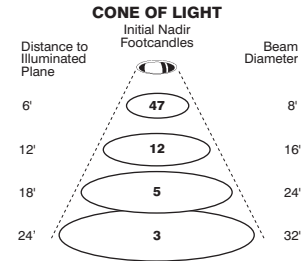
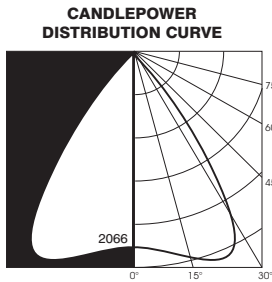
R8BLRD

Remodel 8" LED Recessed Downlight

R8BLRD-35-35K-SH

Test No: CRT1509251313-003
(calculated)
Source: Chip on Board
Color Temp: 3500K
Total Fixture Lumens: 3368
S/MH: 1.31

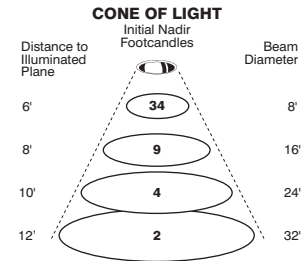
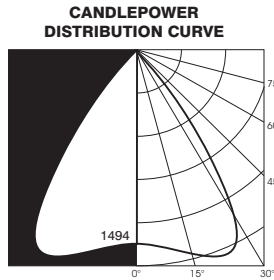
Input Current
Voltage: Watts: Amps:
120 34 .28
277 34 .12



R8BLRD-25-35K-SH

Test No: ITL7924
Source: Chip on Board
Color Temp: 3500K
Total Fixture Lumens: 2380
S/MH: 1.1

Input Current
Voltage: Watts: Amps:
120 25 .21
277 25 .09



This Peachtree LED product is baseline tested at 3500K and 80+ CRI. When a warmer or cooler color temperature or 90+ CRI is specified, the light output values will vary. Use the following charts to adjust the values for your application.

CCT LUMEN CONVERSION

3000K	4000K
.98	1.04

CRI CONVERSION

90+
.88

Wattage by Lumen Package

-55 = 50.6w	-22 = 27.0w
-42 = 48.7w	-17 = 18.7w
-32 = 23.8w	-12 = 12.7w

***DISTRIBUTION PERFORMANCE**
Distribution lenses reduce delivered lumens by the following:

Distribution	Loss
Narrow	23%
Medium	34%
Wide	36%
Wall Wash	34%



Installs as easy as 1 - 2 - 3!

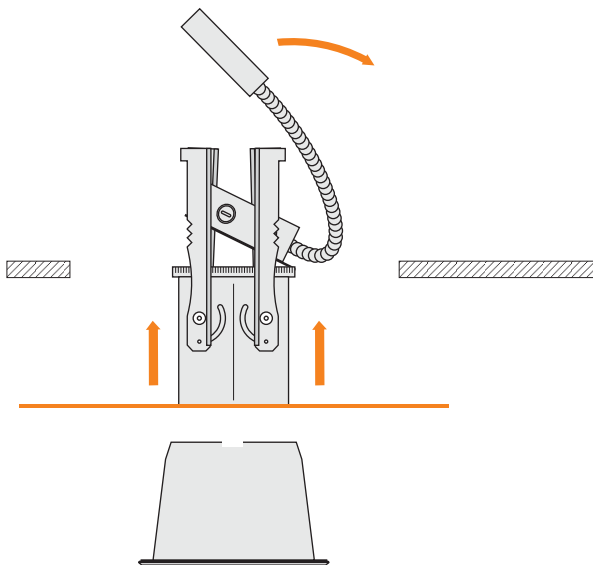
The Quick-Set family of recessed downlights is engineered to ensure simple, reliable upgrading of traditional source downlights to modern LED sources.

STEP 1:

Detach power from old fixture and remove it or push it to the side. (In some cases, the existing pan can be left in place). Drop power through the opening.

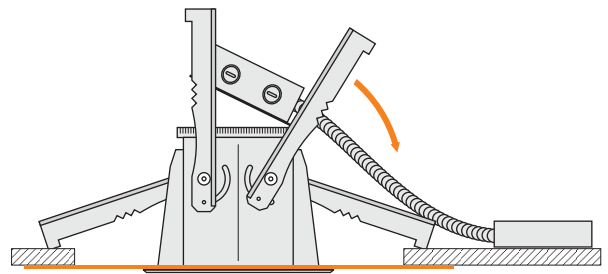
STEP 2:

Attach power to new fixture, raise it into the ceiling opening and center adapter ring. Allow the driver box to rest on top of the ceiling material.



STEP 3:

Hold fixture and adapter ring flush to ceiling. Lower retaining arms into place and tighten mechanism. Install Reflector.



Detailed instruction sheets for the R6B, R8B and R8H are included with each fixture.

Trial Installations

Every lighting renovation project is different. We want to make sure your project goes smoothly and your customers are pleased with the product and process. To ensure your success, we offer a trial installation program from the Quick-Set Remodel products. To request a sample for trial installation, contact sales@peachtreelighting.com.