

Type	Job. Ref.
------	-----------



# R6BLRD

## Remodel 6" LED Recessed Downlight

**1200 - 4200 Delivered Lumens**

### PRODUCT SPECIFICATION DATA

#### MECHANICAL

- Precision formed 18 ga. galvanized steel ceiling support ring and mechanical retaining arms
- Accommodates 1/2" to 4" ceiling thickness

#### ELECTRICAL

- Serviceable and upgradable light engine.
- Power supply is overload and short circuit protected
- See lumens column for standard dimming.
- Electrical components UL 8750 recognized

#### OPTICAL

- Self-flanged lower reflector
- Medium distribution

#### PERFORMANCE

- CCT: 3000K; 3500K; 4000K @ 80+ CRI
- 70% lumen maintenance at 50,000 hours based on IESNA LM-80-2008.

Conforms to 1598 standards.

Suitable for damp location/covered ceilings.

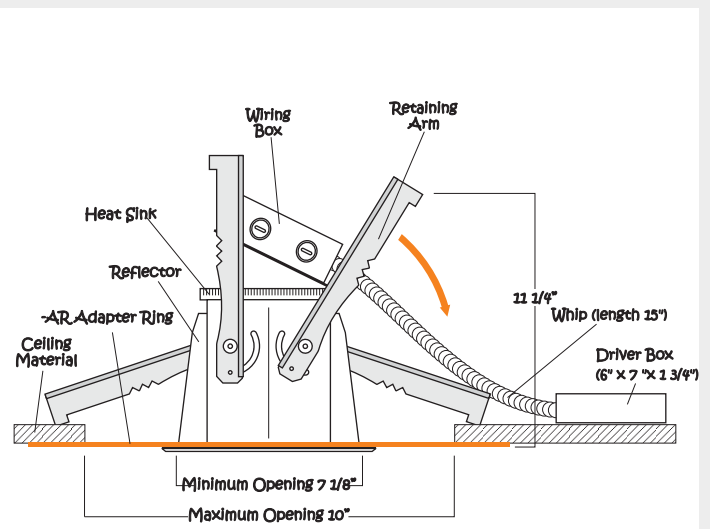
5 Year limited warranty.

Dimensions and specifications in this literature are subject to change.

## Quick Set Remodel



## LED



## Which Adapter Ring Do I Need?

- 7 1/8" to 8" opening - AR9, 9" adapter ring.
- 7 1/8" to 10" opening - AR12, 12" adapter ring.
- Opening larger than 10" - Consult Factory.

	DELIVERED LUMENS @ 35K	DIMMING	COLOR TEMP.	CRI	REFLECTOR	ADAPTER RING	REFLECTOR OPTIONS	OPTIONS	VOLTAGE						
<b>R6BLRD</b>															
REMODEL 6" LED Round Recessed Downlight	-42	4320 lumens <sup>1</sup>	-DMLV10	0-10v Dimming to 10%*	-30K	3000 K	-80	-SH Soft Haze	-AR9	9" O.D.	-RC	Reg. Clear Temp. Glass Lens	-F	Fusing	-120
	-32	3335 lumens <sup>1</sup>	-DMLV1	0-10v Dimming to 1%*	-35K	3500 K	-90	-W White*	-AR12	12" O.D.	-RCA	Reg. Clear Acrylic Lens	-EML1	Emergency	-277
	-12	1258 lumens <sup>2</sup>	-DMT1	Triac Dimming to 1%**	-40K	4000 K		-B Black*				-RPG	Reg. Prismatic Temp. Glass Lens	-TG	Trim Gasket (must use lens)
		<sup>1</sup> 0-10v 1% Dimming Std. See OPTIONS for Triac Dimming						* Powder Coat Finish			-RPA	Reg. Prismatic Acrylic Lens	Emergency Options Use Remote Mount Test Switch		
		<sup>2</sup> 0-10v 10% Dimming Std. See OPTIONS for 1% & Triac Dimming									-TRW	Trim Ring White	Voltage MUST be Specified		
											-TRB	Trim Ring Black	Regressed lens holder is white as standard		



R6BLRD



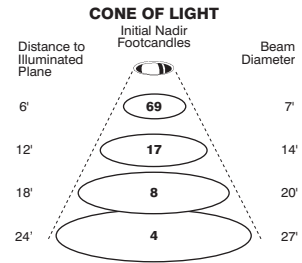
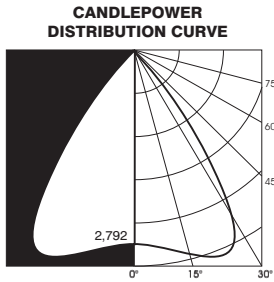
# R6BLRD

## Remodel 6" LED Recessed Downlight

### R6BLRD-42-35K-80-SH

Test No: CRT1701091211-001 (calc)  
 Source: Chip on Board  
 Color Temp: 3500K  
 Total Fixture Lumens: 4,315  
 S/MH: 1.1

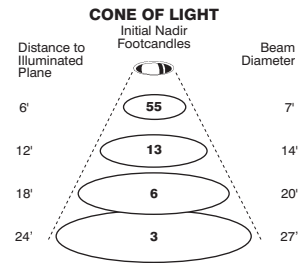
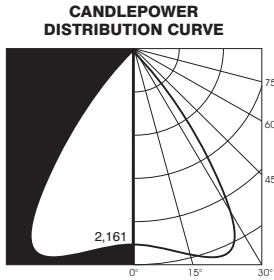
Input Current  
 Voltage: Watts: Amps:  
 120 48 .40  
 277 48 .17



### R6BLRD-32-35K-80-SH

Test No: CRT1701091211-001 (calc)  
 Source: Chip on Board  
 Color Temp: 3500K  
 Total Fixture Lumens: 3,340  
 S/MH: 1.1

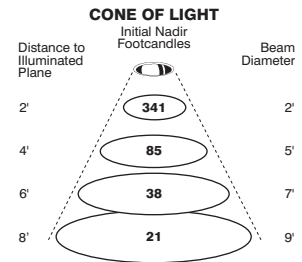
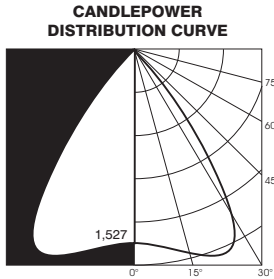
Input Current  
 Voltage: Watts: Amps:  
 120 35 .29  
 277 35 .13



### R6BLRD-22-35K-80-SH

Test No: CRT1701091211-001 (calc)  
 Source: Chip on Board  
 Color Temp: 3500K  
 Total Fixture Lumens: 2,359  
 S/MH: .99

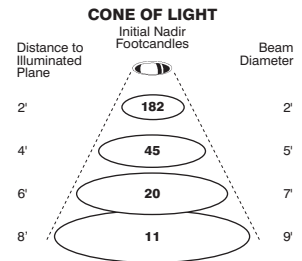
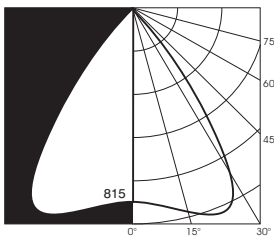
Input Current  
 Voltage: Watts: Amps:  
 120 27 .23  
 277 27 .10



### R6BLRD-12-35K-80-SH

Test No: CRT1701091211-001 (calc)  
 Source: Chip on Board  
 Color Temp: 3500K  
 Total Fixture Lumens: 1,260  
 S/MH: .99

Input Current  
 Voltage: Watts: Amps:  
 120 13 .11  
 277 13 .05



This Peachtree LED product is baseline tested at 3500K and 80+ CRI. When a warmer or cooler color temperature or 90+ CRI is specified, the light output values will vary. Use the following charts to adjust the values for your application.

CCT LUMEN CONVERSION		CRI CONVERSION
3000K	4000K	90+
.98	1.04	.88



# Installs as easy as 1 - 2 - 3!

The Quick-Set family of recessed downlights is engineered to ensure simple, reliable upgrading of traditional source downlights to modern LED sources.

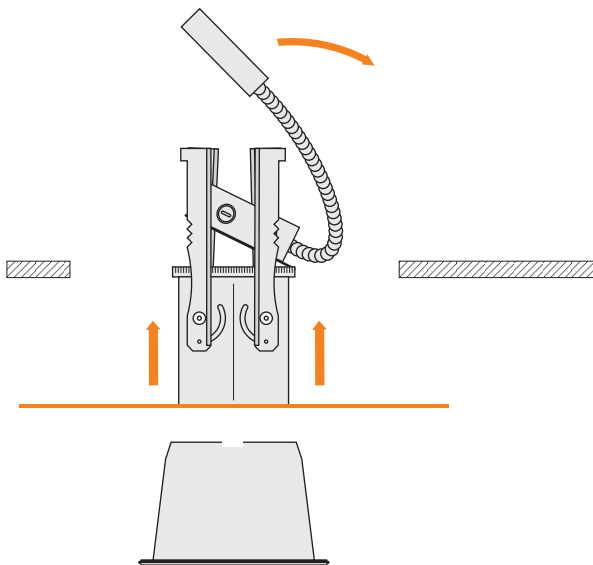
## STEP 1:

Detach power from old fixture and remove it or push it to the side. (In some cases, the existing pan can be left in place). Drop power through the opening.

---

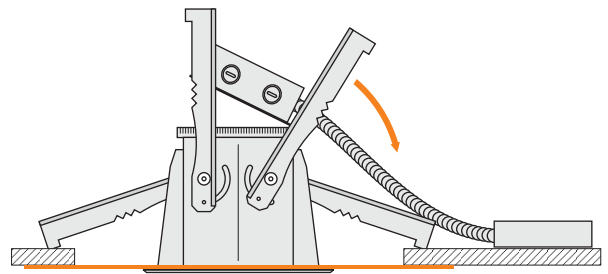
## STEP 2:

Attach power to new fixture, raise it into the ceiling opening and center adapter ring. Allow the driver box to rest on top of the ceiling material.



## STEP 3:

Hold fixture and adapter ring flush to ceiling. Lower retaining arms into place and tighten mechanism. Install Reflector.



Detailed instruction sheets for the R6B, R8B and R8H are included with each fixture.

## Trial Installations

Every lighting renovation project is different. We want to make sure your project goes smoothly and your customers are pleased with the product and process. To ensure your success, we offer a trial installation program from the Quick-Set Remodel products. To request a sample for trial installation, contact [sales@peachtreelighting.com](mailto:sales@peachtreelighting.com).