



# LBB-SR

## Saturn Rings

2,000 to 8,000 Lumens

Minimalist low bay lighting that delivers superior lighting and adds visual accents with three rings for an uncluttered ceiling.

### MECHANICAL

- 16" wide, 11.2" high
- Hook, pendant and cable mounting options
- Choice of all three aluminum rings or alternating aluminum, glass, aluminum rings

### OPTICAL

- Multiple distribution options, including medium, wide and extra wide.
- 4 beam angles, with 25, 65, 85 and 90 degrees options

### ELECTRICAL

- Standard with 0-10V dimming to 1%
- 120/277 voltage
- Power supply is overload and short circuit protected

### PERFORMANCE

- 2,000 to 8,000 delivered lumens for variety of applications
- CCT: 3000K, 3500K, 4000K at 80+ CRI (90 CRI option)
- LED COB module L70 rated lifetimes of at least 50,000 hours.

### LISTINGS


- Suitable for damp location.

Consult factory for alternative configurations. | 5 year limited warranty.

Dimension and specifications in literature subject to change.

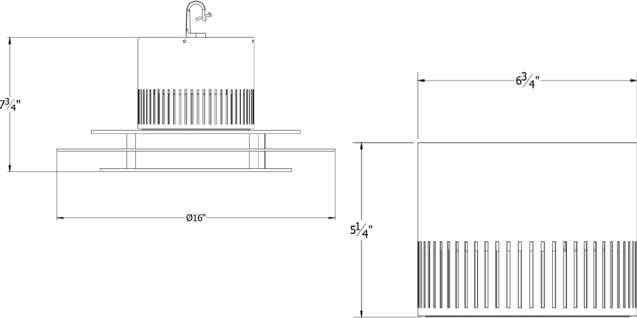
Type	Job Ref.
------	----------

**LBB-SR – Saturn Rings**

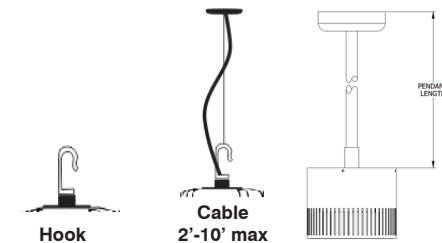


**LBB-SR-AGA**

**DIMENSIONS**



**MOUNTING OPTIONS**



**Hook**  
2 3/8" x 1 1/2"

**Cable**  
2'-10' max adjustable cable

**PENDANT LENGTH**

See the LBB Mounting Options sheet for more details.

<b>LBB-SR</b>											
	DELIVERED LUMENS @ 35K	DIMMING	DISTRIBUTION	COLOR TEMPERATURE	CRI	DECORATIVE	REFLECTOR EXTERIOR COLOR	SHROUD COLOR	MOUNTING	OPTIONS	VOLTAGE
Saturn Rings	<b>-20</b> 2003 lumens <b>-30</b> 3006 lumens <b>-40</b> 4081 lumens <b>-50</b> 4964 lumens <b>-60</b> 5995 lumens <b>-70</b> 6958 lumens <b>-80</b> 8048 lumens	<b>-DMLV1</b> 0-10V Dim to 1%* <b>-DMB</b> Dim to Black**  <b>*Standard</b> <b>**-.20 to -.70 only</b>	<b>-DX</b> No Optical Lens (85°) <b>-D25</b> 25° Fresnel Lens <b>-D60</b> 60° Optical Lens (65°) <b>-D90</b> 90° Optical Lens	<b>-30K</b> 3000 K <b>-35K</b> 3500 K <b>-40K</b> 4000 K	<b>-80</b> <b>-90</b>	<b>-AAA</b> All three rings aluminum <b>-AGA</b> Aluminum ring, Glass, Aluminum ring	<b>-NA</b> Natural Aluminum <b>-WH</b> White <b>-BK</b> Black <b>-BZ</b> Bronze <b>-RAL #</b> <b>-MC</b> -Custom Multiple Colors	<b>-NA</b> Natural Aluminum <b>-WH</b> White <b>-BK</b> Black <b>-BZ</b> Bronze <b>-RAL #</b> <b>-Custom</b>	<b>-HK</b> Hook <b>-PND-LBB</b> Pendant** <b>-CAB-C-10</b> Cable w/ straight cord. Adj. 2'-10'  <b>*Specify Pendant Length (e.g. -PND24)</b>	<b>-EML1</b> Remote Emergency Battery Backup	<b>-120/277</b>



**LBB-SR**



# LBB-SR

## Saturn Rings

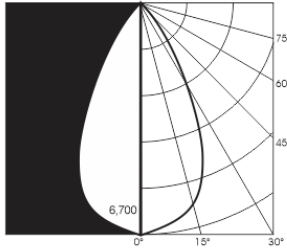
### PHOTOMETRY

#### LBB-SR-80-D60

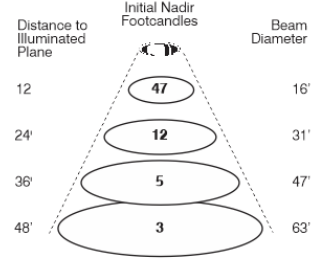
Test No: CRT18111201006-003-003  
 Source: Ascendia  
 Color Temp: 3500K  
 Total Fixture Lumens: 7,955  
 S/MH: .8

Input Current  
 Voltage: Watts: Amps:  
 120 65 .54  
 277 65 .23

CANDLEPOWER DISTRIBUTION CURVE



CONE OF LIGHT

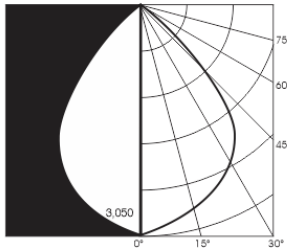


#### LBB-SR-80-DX

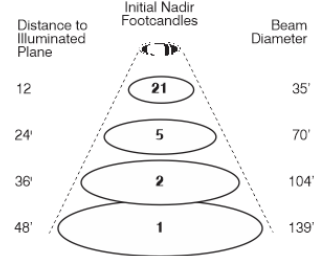
Test No: CRT1901221033-001+002-003  
 Source: Ascendia  
 Color Temp: 3500K  
 Total Fixture Lumens: 7,558  
 S/MH: .8

Input Current  
 Voltage: Watts: Amps:  
 120 64 .53  
 277 64 .23

CANDLEPOWER DISTRIBUTION CURVE



CONE OF LIGHT



#### ZONAL LUMEN SUMMARY LBB-SR-80-DX

Zone	Lumens	% Luminaire
0-30	4,818.3	32.1%
0-40	8,019.3	53.5%
0-60	13,978.3	93.2%
60-90	933.2	6.2%
70-100	613.8	4.1%
90-120	91.3	0.6%
0-90	14,911.5	99.4%
90-180	91.3	0.6%
0-180	15,002.8	100%

#### ZONAL LUMEN SUMMARY LBB-SR-80-D60

Zone	Lumens	% Luminaire
0-30	8,944.1	56.6%
0-40	12,632.5	79.9%
0-60	15,459.3	97.8%
60-90	342.2	2.2%
70-100	153.3	1%
90-120	2.1	0%
0-90	15,801.5	100%
90-180	2.1	0%
0-180	15,803.6	100%

#### PERFORMANCE DATA

Model	Input Watts	Delivered Lumens	Efficacy (lm/W)
LBB-SR-60-D60	49	5,937	121
LBB-SR-60-DX	45	5,640	125
LBB-SR-80-D60	65	7,955	122
LBB-SR-80-DX	64	7,558	118

#### COLOR TEMPERATURE CONVERSIONS

Peachtree performance data is presented as delivered lumens. Standard photometric test data is based on 3500K CT and 80 CRI. For other CCTs and CRIs, use the following conversion factors:

CCT/CRI	Conversion Factor
3000K at 80 CRI	0.99
3000K at 90 CRI	0.81
3500K at 80 CRI	1.00
3500K at 90 CRI	0.83
4000K at 80 CRI	1.01
4000K at 90 CRI	0.86
5000K at 80 CRI	1.04
5000K at 90 CRI	0.89