



# LBB-19M

Traditional Low Bay,  
Metal Refractor

2,000 to 8,000 Lumens

*Traditional low bay form with metal refractor to maximize downlight with no uplight.*

### MECHANICAL

- Dimensions: 19.3" wide, 14.5" high
- Hook, pendant and cable mounting options
- Metal Refractor

### OPTICAL

- 5 beam angles, with 25, 65, 85, 90 and 120 degrees options
- Reflector Exterior and Shroud Color Options: Natural Aluminum, White, Black, Bronze or Custom with the RAL number.

### ELECTRICAL

- Standard with 0-10V dimming to 1%
- 120/277 voltage
- Power supply is overload and short circuit protected

### PERFORMANCE

- 2,000 to 8,000 delivered lumens for variety of applications
- CCT: 3000K, 3500K, 4000K at 80+ CRI (90 CRI option)
- LED COB module L70 rated lifetimes of at least 50,000 hours

### LISTINGS

- Suitable for damp location

Consult factory for alternative configurations. | 5 year limited warranty.

Dimension and specifications in literature subject to change.

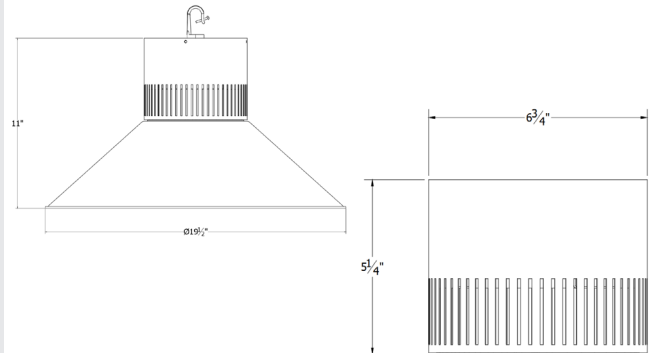
Type	Job Ref.
------	----------

LBB-19M – Low Bay with Metal Refractor

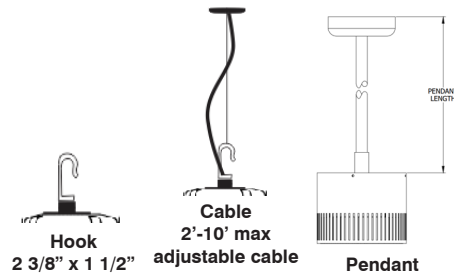


LBB-19M

### DIMENSIONS



### MOUNTING OPTIONS



See the LBB Mounting Options sheet for more details.

## LBB-19M

	DELIVERED LUMENS @ 35K	DIMMING	DISTRIBUTION	COLOR TEMPERATURE	CRI	REFRACTOR	REFLECTOR EXTERIOR COLOR	SHROUD COLOR	MOUNTING	OPTIONS	VOLTAGE	
Low Bay with Metal Refractor	-20	2003 lumens	-DMLV1 0-10V Dim to 1%*	-DX No Optical Lens (85°)	-30K	3000K	-O 19" Metal, Open	-NA	Natural Aluminum	-HK Hook -PND-LBB Pendant -CAB-C-10 Cable w/ straight cord. Adj. 2'-10'	-EML1 Remote Emergency Battery Backup	-120/277
	-30	3006 lumens			-35K	3500K		-WH	White			
	-40	4081 lumens	-DMB Dim to Black**  *Standard ** -20 to -70 only	-D25 25° Fresnel Lens -D60 60° Optical Lens (65°) -D90 90° Optical Lens -D120 120° Optical Lens	-40K	4000K		-BK	Black			
	-50	4964 lumens			-BZ	Bronze						
	-60	5995 lumens			-RAL # _ _ _	Custom						
	-70	6958 lumens			-RAL # _ _ _	Custom						
-80	8048 lumens											



LBB-19M



# LBB-19M

Traditional Low Bay, Metal Refractor

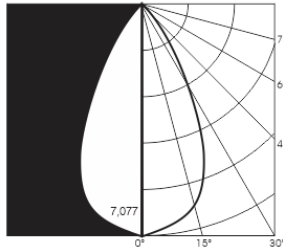
## PHOTOMETRY

### LBB-19M-80-D60

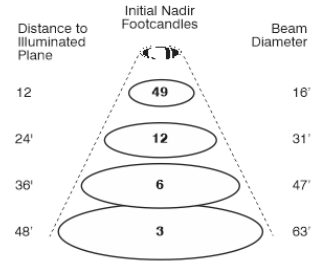
Test No: CRT18111201006-001-001  
 Source: Ascendia  
 Color Temp: 3500K  
 Total Fixture Lumens: 8,388  
 S/MH: .8

Input Current  
 Voltage: Watts: Amps:  
 120 64 .64  
 277 64 .28

CANDLEPOWER DISTRIBUTION CURVE



CONE OF LIGHT

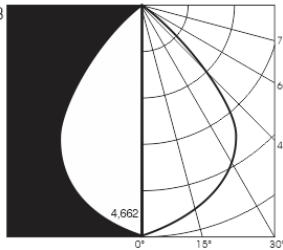


### LBB-19M-80-DX

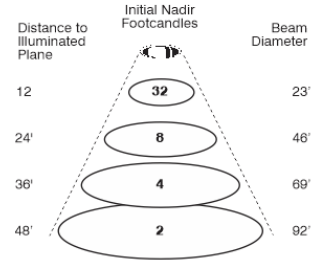
Test No: CRT1901221033-001+002-003  
 Source: Ascendia  
 Color Temp: 3500K  
 Total Fixture Lumens: 8,448  
 S/MH: .8

Input Current  
 Voltage: Watts: Amps:  
 120 64 .64  
 277 64 .28

CANDLEPOWER DISTRIBUTION CURVE



CONE OF LIGHT



### ZONAL LUMEN SUMMARY LBB-19M-80-D60

Zone	Lumens	% Luminaire
0-30	9,606.5	57.7%
0-40	13,548.4	81.3%
0-60	16,603.7	99.6%
60-90	59.1	0.4%
70-100	0	0%
90-120	0	0%
0-90	16,662.9	100%
90-180	0	0%
0-180	16,662.9	100%

### ZONAL LUMEN SUMMARY LBB-19M-80-DX

Zone	Lumens	% Luminaire
0-30	6,422.2	38.3%
0-40	10,019.9	59.8%
0-60	16,446.7	98.1%
60-90	322.7	1.9%
70-100	0.7	0%
90-120	0	0%
0-90	16,769.4	100%
90-180	0	0%
0-180	16,769.4	100%

### PERFORMANCE DATA

Model	Input Watts	Delivered Lumens	Efficacy (lm/W)
LBB-19M-60-D60	45	6,260	139
LBB-19M-80-DX	45	6,304	140
LBB-19M-80-D60	65	8,388	129
LBB-19M-80-DX	64	8,448	132

### COLOR TEMPERATURE CONVERSIONS

Peachtree performance data is presented as delivered lumens. Standard photometric test data is based on 3500K CT and 80 CRI.

For other CCTs and CRIs, use the following conversion factors:

CCT/CRI	Conversion Factor
3000K at 80 CRI	0.99
3000K at 90 CRI	0.81
3500K at 80 CRI	1.00
3500K at 90 CRI	0.83
4000K at 80 CRI	1.01
4000K at 90 CRI	0.86
5000K at 80 CRI	1.04
5000K at 90 CRI	0.89