



# LBB-16M

Traditional Low Bay,  
Metal Refractor

2,000 to 8,000 Lumens

*Traditional low bay form with metal refractor to maximize downlight with no uplight.*

### MECHANICAL

- Dimensions: 16.4" wide, 18.9" high
- Hook, pendant and cable mounting options
- Metal refractor

### OPTICAL

- 3 beam angles, with 25, 65 and 85 degrees options
- Reflector Exterior Color Options: Natural Aluminum, White, Black, Bronze or Custom with the RAL number.

### ELECTRICAL

- Standard with 0-10V dimming to 1%
- 120/277 voltage
- Power supply is overload and short circuit protected

### PERFORMANCE

- 2,000 to 8,000 delivered lumens for variety of applications
- CCT: 3000K, 3500K, 4000K at 80+ CRI (90 CRI option)
- LED COB module L70 rated lifetimes of at least 50,000 hours

### LISTINGS

- Suitable for damp location

Consult factory for alternative configurations. | 5 year limited warranty.

Dimension and specifications in literature subject to change.

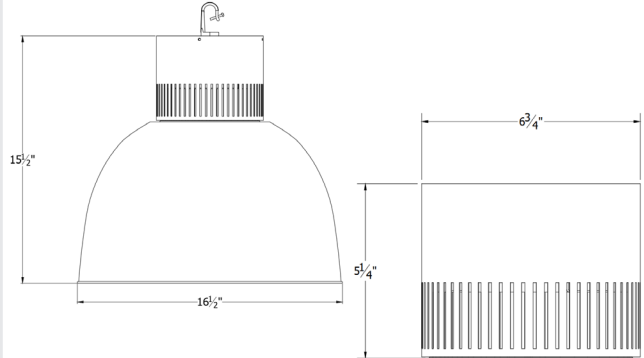
Type	Job Ref.
------	----------

LBB-16M – Low Bay with Metal Refractor

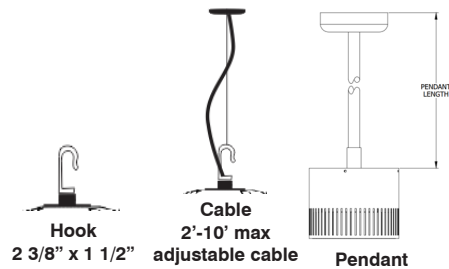


LBB-16M

### DIMENSIONS



### MOUNTING OPTIONS



See the LBB Mounting Options sheet for more details.

## LBB-16M

	DELIVERED LUMENS @ 35K	DIMMING	DISTRIBUTION	COLOR TEMPERATURE	CRI	REFRACTOR	REFLECTOR EXTERIOR COLOR	SHROUD COLOR	MOUNTING	OPTIONS	VOLTAGE
16" Low Bay with Metal Refractor	-20 2003 lumens	-DMLV1 0-10V Dim to 1%*	-DX No Optical Lens (85°)	-30K 3000K -35K 3500K -40K 4000K	-80 -90	-O 16" Metal, Open	-NA Natural Aluminum -WH White -BK Black -BZ Bronze -RAL # _____ -Custom	-NA Natural Aluminum -WH White -BK Black -BZ Bronze -RAL # _____ -Custom	-HK Hook -PND-LBB Pendant -CAB-C-10 Cable w/ straight cord, Adj. 2'-10'	-EML1 Remote Emergency Battery Backup	-120/277
	-30 3006 lumens										
	-40 4081 lumens										
	-50 4964 lumens	-DMB Dim to Black**	-D25 25° Fresnel Lens								
	-60 5995 lumens										
	-70 6958 lumens										
-80 8048 lumens	*Standard ** -20 to -70 only	-D60 60° Optical Lens (65°)									



LBB-16M



# LBB-16M

Traditional Low Bay, Metal Refractor

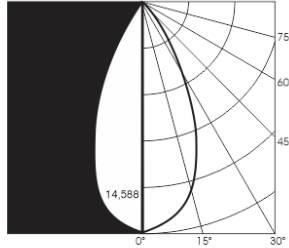
## PHOTOMETRY

### LBB-16M-80-DX

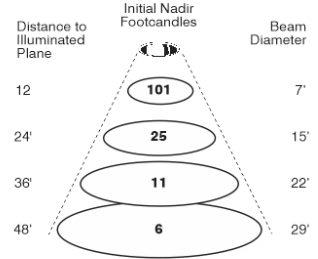
Test No: CRT1901221033-001+002-003  
 Source: Ascendia  
 Color Temp: 3500K  
 Total Fixture Lumens: 7,931  
 S/MH: .8

Input Current  
 Voltage:   Watts:   Amps:  
 120       64       .64  
 277       64       .28

CANDLEPOWER DISTRIBUTION CURVE



CONE OF LIGHT



## ZONAL LUMEN SUMMARY

### LBB-16M-80-DX

Zone	Lumens	% Luminaire
0-30	5,858.0	73.9%
0-40	7,622.6	96.1%
0-60	7,920.7	99.9%
60-90	9.9	0.1%
70-100	0	0%
90-120	0	0%
0-90	7,930.6	100%
90-180	0	0%
0-180	7,930.6	100%

## PERFORMANCE DATA

Model	Input Watts	Delivered Lumens	Efficacy (lm/W)
LBB-16M-60-DX	45	5,918	132
LBB-16M-80-DX	64	7,931	124

## COLOR TEMPERATURE CONVERSIONS

Peachtree performance data is presented as delivered lumens. Standard photometric test data is based on 3500K CT and 80 CRI.

For other CCTs and CRIs, use the following conversion factors:

CCT/CRI	Conversion Factor
3000K at 80 CRI	0.99
3000K at 90 CRI	0.81
3500K at 80 CRI	1.00
3500K at 90 CRI	0.83
4000K at 80 CRI	1.01
4000K at 90 CRI	0.86
5000K at 80 CRI	1.04
5000K at 90 CRI	0.89