



LBB-16A

Traditional Low Bay,
Acrylic Refractor

2,000 to 8,000 Lumens

Traditional low bay form with acrylic refractor that provides optimal distribution with uplight and specular highlights.

MECHANICAL

- 16.4" wide, 18.9" high
- Hook, pendant and cable mounting options

OPTICAL

- Open or enclosed acrylic refractor
- Multiple distributions, including 25 and 85 degrees options

ELECTRICAL

- Standard with 0-10V dimming to 1%
- 120/277 voltage
- Power supply is overload and short circuit protected

PERFORMANCE

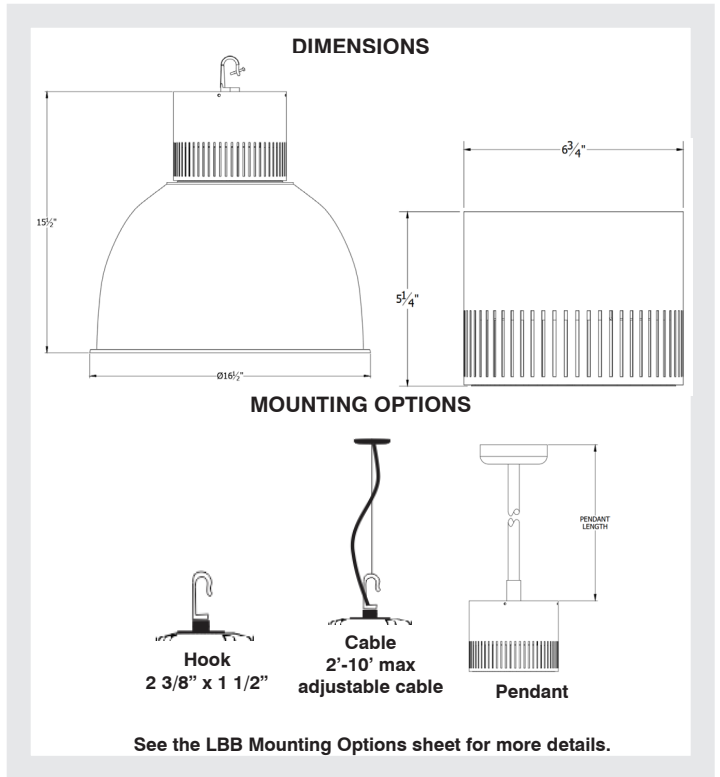
- 2,000 to 8,000 delivered lumens for variety of applications
- CCT: 3000K, 3500K, 4000K at 80+ CRI (90 CRI option)
- LED COB module L70 rated lifetimes of at least 50,000 hours

LISTINGS

- Suitable for damp location

Consult factory for alternative configurations. | 5 year limited warranty.

Dimension and specifications in literature subject to change.



LBB-16A													
	DELIVERED LUMENS @ 35K	DIMMING	DISTRIBUTION	COLOR TEMPERATURE	CRI	REFRACTOR	SHROUD COLOR	MOUNTING	OPTIONS	VOLTAGE			
COB 16\" LED Module and Poly-carbonate Refractor	-20	2003 lumens	-DMLV1 0-10V Dim to 1%*	-DX No Optical Lens (85°)	-30K	3000K	-NA Natural Aluminum	-HK	Hook	-EML1 Remote Emergency Battery Backup	-120/277		
	-30	3006 lumens			-35K	3500K		-90	-E			16\" Acrylic, Enclosed	-PND-LBB
	-40	4081 lumens	-DMB Dim to Black**	-D25 25° Fresnel Lens	-40K	4000K	-WH White -BK Black -BZ Bronze -RAL #	-OW	16\" Translucent White, Open			-CAB-C-10	Cable w/ straight cord. Adj. 2'-10'
	-60	4964 lumens			-EW	16\" Translucent White, Enclosed							
	-70	5995 lumens											
	-80	6958 lumens											
	8048 lumens												

*Standard
** -20 to -70 only

*Specify Pendant Length (e.g. -PND24)



LBB-16A



LBB-16A

16" LED Traditional Low Bay

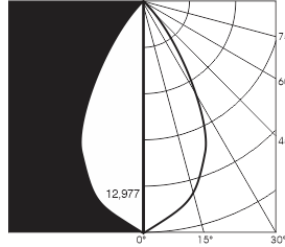
PHOTOMETRY

LBB-16A-80-D25

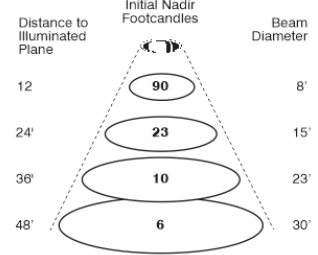
Test No: CRT18111201006-003-001, calc
 Source: Ascendia
 Color Temp: 3500K
 Total Fixture Lumens: 7,557
 S/MH: .8

Input Current
 Voltage: Watts: Amps:
 120 64 .53
 277 64 .23

CANDLEPOWER DISTRIBUTION CURVE



CONE OF LIGHT

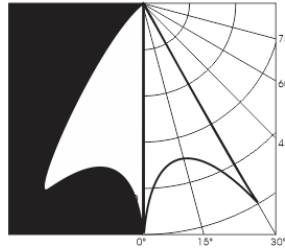


LBB-16A-80-DX

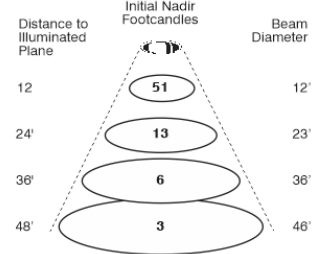
Test No: CRT18111201006-003-002, calc
 Source: Ascendia
 Color Temp: 3500K
 Total Fixture Lumens: 8,317
 S/MH: .8

Input Current
 Voltage: Watts: Amps:
 120 64 .53
 277 64 .23

CANDLEPOWER DISTRIBUTION CURVE



CONE OF LIGHT



ZONAL LUMEN SUMMARY LBB-16A-80-DX

Zone	Lumens	% Luminaire
0-30	10,381.4	62.9%
0-40	13,517.1	81.9%
0-60	15,410.8	93.3%
60-90	891.4	5.4%
70-100	344.1	2.1%
90-120	79.4	0.5%
0-90	16,302.2	98.7%
90-180	207.6	1.3%
0-180	16,509.8	100%

ZONAL LUMEN SUMMARY LBB-16A-80-D25

Zone	Lumens	% Luminaire
0-30	10,174.6	67.8%
0-40	12,599.8	84%
0-60	13,563.0	90.4%
60-90	1,195.9	8%
70-100	741.3	4.9%
90-120	139.5	0.9%
0-90	14,758.9	98.4%
90-180	241.4	1.6%
0-180	15,000.3	100%

PERFORMANCE DATA

Model	Input Watts	Delivered Lumens	Efficacy (lm/W)
LBB-16P-60-D25	45	5,639	125
LBB-16P-60-DX	45	6,207	138
LBB-16P-80-D25	64	7,557	118
LBB-16P-80-DX	64	8,317	130

COLOR TEMPERATURE CONVERSIONS

Peachtree performance data is presented as delivered lumens. Standard photometric test data is based on 3500K CT and 80 CRI. For other CCTs and CRIs, use the following conversion factors:

CCT/CRI	Conversion Factor
3000K at 80 CRI	0.99
3000K at 90 CRI	0.81
3500K at 80 CRI	1.00
3500K at 90 CRI	0.83
4000K at 80 CRI	1.01
4000K at 90 CRI	0.86
5000K at 80 CRI	1.04
5000K at 90 CRI	0.89