



# LBB-12A

Architectural Low Bay,  
Acrylic Refractor

2,000 to 8,000 Lumens

Small form low bay style luminaire with stunning color options to deliver a visual experience in industrial-styled architecture.

### MECHANICAL

- 12.4" wide, 15.4" high
- Hook, pendant and cable mounting options
- Integrated ballast, driver

### OPTICAL

- Acrylic or Translucent White Open or Enclosed Refractor
- Multiple distributions, including 25 and 85 degrees options

### ELECTRICAL

- Standard with 0-10V dimming to 1%
- 120/277 voltage
- Power supply is overload and short circuit protected

### PERFORMANCE

- 2,000 to 8,000 delivered lumens for variety of applications
- CCT: 3000K, 3500K, 4000K at 80+ CRI (90 CRI option)
- LED COB module L70 rated lifetimes of at least 50,000 hours

### LISTINGS

- Suitable for damp location

Consult factory for alternative materials, colors and refractor options.  
5 year limited warranty.

Dimension and specifications in literature subject to change.

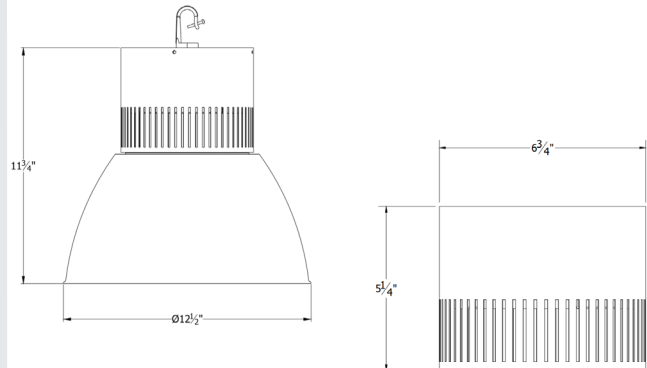
Type	Job Ref.
------	----------

### LBB-12A – Architectural Low Bay, Acrylic Refractor

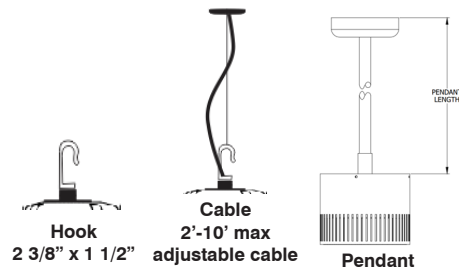


LBB-12A-O  
12" Acrylic, Open Refractor

### DIMENSIONS



### MOUNTING OPTIONS



See the LBB Mounting Options sheet for more details.

## LBB-12A

	DELIVERED LUMENS @ 35K	DIMMING	DISTRIBUTION	COLOR TEMPERATURE	CRI	REFRACTOR	SHROUD COLOR	MOUNTING	OPTIONS	VOLTAGE	
12" LED Architectural Low Bay	-20 2003 lumens	-DMLV1 0-10V Dim to 1%*	-DX No Optical Lens (85°)	-30K 3000 K	-80	-0 12" Acrylic, Open	-NA Natural Aluminum	-HK Hook	-EML1 Remote Emergency Battery Backup	-120/277	
	-30 3006 lumens			-35K 3500 K		-E 12" Acrylic, Enclosed Lens		-WH White			-PND-LBB Pendant " *"
	-40 4081 lumens			-40K 4000 K		-OW 12" Translucent White, Open		-BK Black			-CAB-C-10 Cable w/ straight cord. Adj. 2'-10'
	-50 4964 lumens	-D25 25° Fresnel Lens	-EW 12" Translucent White, Clear Enclosed Lens	-BZ Bronze	*Specify Pendant Length (e.g. -PND24)						
	-60 5995 lumens			-RAL # _____							
	-70 6958 lumens										
-80 8048 lumens	-DMB Dim to Black**										
		*Standard									
		** -20 to -70 only									

Made In The USA



LBB-12A



# LBB-12A

Architectural Low Bay, Acrylic Refractor

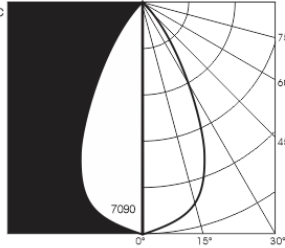
## PHOTOMETRY

### LBB-12A-80-D25-O

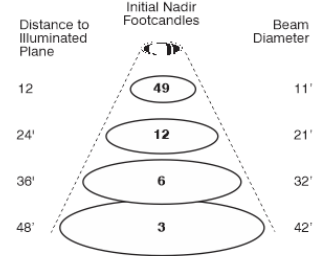
Test No: CRT1904301123-002+001-002, calc  
 Source: Ascendia  
 Color Temp: 3500K  
 Total Fixture Lumens: 7398  
 S/MH: .8

Input Current  
 Voltage: Watts: Amps:  
 120 66 .55  
 277 66 .24

CANDLEPOWER DISTRIBUTION CURVE



CONE OF LIGHT

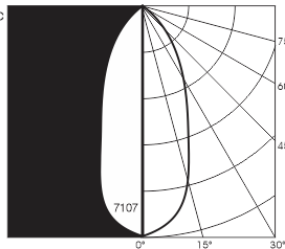


### LBB-12A-80-D25-OW

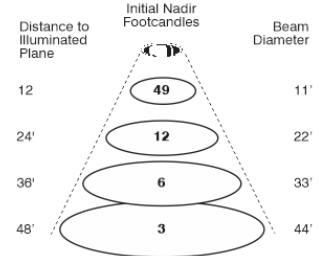
Test No: CRT1904301123-002+001-001, calc  
 Source: Ascendia  
 Color Temp: 3500K  
 Total Fixture Lumens: 7171  
 S/MH: .8

Input Current  
 Voltage: Watts: Amps:  
 120 66 .55  
 277 66 .24

CANDLEPOWER DISTRIBUTION CURVE



CONE OF LIGHT



### ZONAL LUMEN SUMMARY LBB-12A-80-D25-O

Zone	Lumens	% Luminaire
0-30	3,649.2	49.3%
0-40	4,848.8	65.5%
0-60	5,791.5	78.3%
60-90	1,066.7	14.4%
70-100	890.1	12%
90-120	390.6	5.3%
0-90	6,858.2	92.7%
90-180	539.4	7.3%
0-180	7,397.6	100%

### ZONAL LUMEN SUMMARY LBB-12A-80-D25-OW

Zone	Lumens	% Luminaire
0-30	3,739.3	52.1%
0-40	5,059.3	70.6%
0-60	6,167.2	86%
60-90	526.3	7.3%
70-100	336.3	4.7%
90-120	229.9	3.2%
0-90	6,693.5	93.3%
90-180	477.3	6.7%
0-180	7,170.8	100%

### PERFORMANCE DATA

Model	Input Watts	Delivered Lumens	Efficacy (lm/W)
LBB-12A-60-DX-O	49	6,422	131
LBB-12A-80-DX-O	66	8,450	128
LBB-12A-60-D25-O	49	5,622	115
LBB-12A-80-D25-O	66	7,398	112
LBB-12A-60-DX-OW	49	6,244	127
LBB-12A-80-DX-OW	66	8,216	124
LBB-12A-60-D25-OW	49	5,450	111
LBB-12A-80-D25-OW	66	7,171	109

### COLOR TEMPERATURE CONVERSIONS

Peachtree performance data is presented as delivered lumens. Standard photometric test data is based on 3500K CT and 80 CRI. For other CCTs and CRIs, use the following conversion factors:

CCT/CRI	Conversion Factor
3000K at 80 CRI	0.99
3000K at 90 CRI	0.81
3500K at 80 CRI	1.00
3500K at 90 CRI	0.83
4000K at 80 CRI	1.01
4000K at 90 CRI	0.86
5000K at 80 CRI	1.04
5000K at 90 CRI	0.89

