



HBB-19RLM

Decorative High Bay,
19" RLM Style Reflector

4,000 to 20,000 Lumens

Classic high bay form with RLM style metal reflector to maximize downlight with no uplight.

MECHANICAL

- Dimensions: 19.3" wide, 14.5" high
- Hook, 6" stem, pendant and cable mounting options
- Open Metal Reflector
- Reflector Exterior Color Options: Natural Aluminum, White, Black, Bronze or Custom with the RAL number.

OPTICAL

- 5 beam angles, with 25 (fresnel lens), 60 (optical lens), 85 (no optical lens), 90 (optical lens) and 120 degrees (optical lens) options

ELECTRICAL

- Standard with 0-10V dimming to 20%
- 120/277 voltage
- Power supply is overload and short circuit protected

PERFORMANCE

- 4,000 to 20,000 delivered lumens for variety of applications
- CCT: 3000K, 3500K, 4000K at 80+ CRI (90 CRI option)
- LED COB module L70 rated lifetimes of at least 50,000 hours

LISTINGS

- Suitable for damp location

Consult factory for alternative configurations. | 5 year limited warranty.

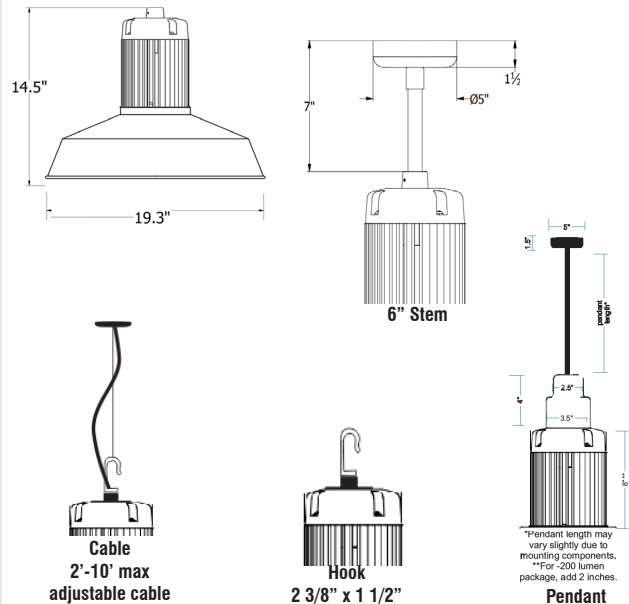
Dimension and specifications in literature subject to change.

Type	Job Ref.
------	----------

HBB-19RLM – 19" High Bay with Metal Step Reflector



DIMENSIONS



*-40 and -60 have 5" wide driver.
See the HBB Mounting Options sheet for more details.

HBB-19RLM								
	DELIVERED LUMENS @ 35K	DISTRIBUTION	COLOR TEMPERATURE	CRI	REFLECTOR EXTERIOR COLOR	MOUNTING	VOLTAGE	
19" High Bay with RLM Style Reflector	-40	4155 lumens	-DX No Optical Lens (85°)	-30K 3000K	-80 -NA Natural Aluminum	-HK Hook	-120/277	
	-60	6233 lumens	-D25 25° Fresnel Lens	-35K 3500K	-90 -WH White	-ST 6" Stem Mount		
	-80	8103 lumens	-D60 60° Optical Lens (65°)	-40K 4000K	-BK Black	-PND-HBB Pendant " *"		
	-100	10128 lumens	-D90 90° Optical Lens		-BZ Bronze	-CAB-C-10 Cable w/ straight cord. Adj. 2'-10'		
	-120	11998 lumens	-D120 120° Optical Lens		-RED Red			
	-160	15893 lumens			-RAL # -			
	-200	21057 lumens			Custom			
					Interior is natural aluminum. Consult factory for alternates.	*Specify Pendant Length (e.g. -PND24)		



HBB-19RLM



HBB-19RLM

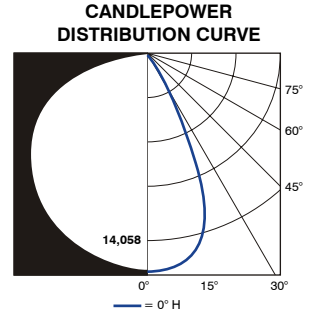
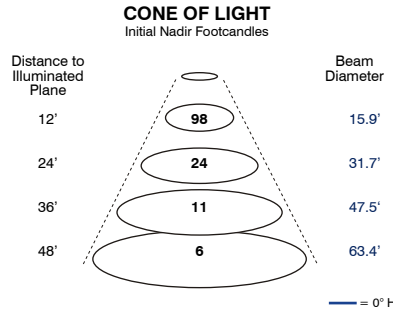
19" Decorative High Bay, RLM Style Reflector

PHOTOMETRY

HBB-19M-160-D60 , Report No: CRT18111201006-001-001, 11/28/2018, 16,663 delivered lumens, 131 input watts, 127.20 lm/W, 3500K, 80 CRI

ZONAL LUMEN SUMMARY

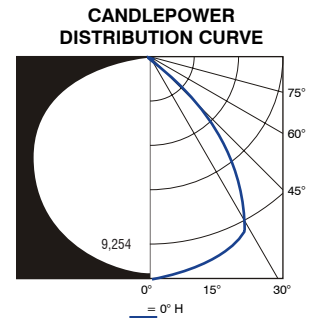
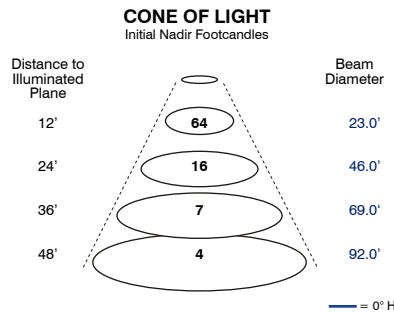
Zone	Lumens	% Luminaires
0-30	9,606.5	57.7%
0-40	13,548.4	81.3%
0-60	16,603.7	99.6%
60-90	59.1	0.4%
70-100	0	0%
90-120	0	0%
0-90	16,662.9	100%
90-180	0	0%
0-180	16,662.9	100%



HBB-19M-160-DX , Report No: CRT1901221033-001+002-003, 01/22/2019, 16,769 delivered lumens, 131 input watts, 128.01 lm/W, 3500K, 80 CRI

ZONAL LUMEN SUMMARY

Zone	Lumens	% Luminaires
0-30	6,422.2	38.3%
0-40	10,019.9	59.8%
0-60	16,446.7	98.1%
60-90	322.7	1.9%
70-100	0.7	0%
90-120	0	0%
0-90	16,769.4	100%
90-180	0	0%
0-180	16,769.4	100%



PERFORMANCE DATA

Model	Input Watts	Delivered Lumens	Efficacy (lm/W)
HBB-19M-60-D60	45	6,260	139
HBB-19M-80-DX	45	6,304	140
HBB-19M-80-D60	65	8,388	129
HBB-19M-80-DX	64	8,448	132
HBB-19M-100-D60	71	10,391	146
HBB-19M-100-DX	71	10,465	147
HBB-19M-120-D60	97	12,519	129
HBB-19M-120-DX	98	12,609	129
HBB-19M-160-D60	131	16,663	127
HBB-19M-160-DX	131	16,769	128
HBB-19M-200-D60	164	20,907	127
HBB-19M-200-DX	164	21,056	128

COLOR TEMPERATURE CONVERSIONS

Peachtree performance data is presented as delivered lumens. Standard photometric test data is based on 3500K CT and 80 CRI. For other CCTs and CRIs, use the following conversion factors:

CCT/CRI	Conversion Factor
3000K at 80 CRI	0.99
3000K at 90 CRI	0.81
3500K at 80 CRI	1.00
3500K at 90 CRI	0.83
4000K at 80 CRI	1.01
4000K at 90 CRI	0.86
5000K at 80 CRI	1.04
5000K at 90 CRI	0.89