



HBB-19M

Traditional High Bay,
Metal Refractor

6,000 to 20,000 Lumens

Traditional high bay form with metal refractor to maximize downlight with no uplight.

MECHANICAL

- Dimensions: 19.3" wide, 14.5" high
- Hook, 6" stem, pendant and cable mounting options
- Metal Refractor

OPTICAL

- Multiple distribution options, including narrow, medium, wide, extra wide and super extra wide
- Reflector Exterior Color Options: Natural Aluminum, White, Black, Bronze or Custom with the RAL number.

ELECTRICAL

- Standard with 0-10V dimming to 10%
- 120/277 voltage
- Power supply is overload and short circuit protected

PERFORMANCE

- 6,000 to 20,000 delivered lumens for variety of applications
- CCT: 3000K, 3500K, 4000K at 80+ CRI (90 CRI option)
- LED COB module L70 rated lifetimes of at least 50,000 hours

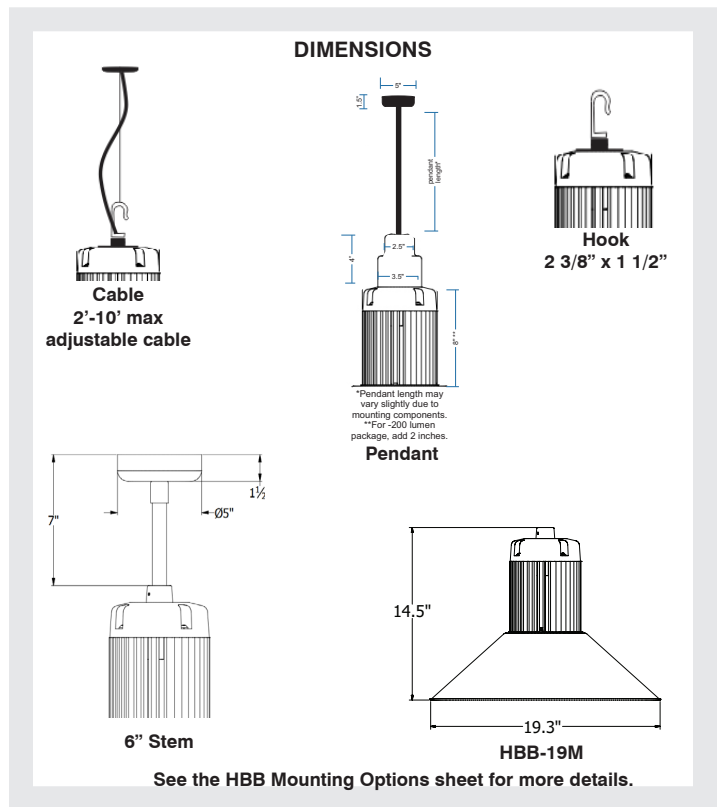
LISTINGS

- ETL Listed
- Suitable for damp location

Consult factory for alternative configurations. | 5 year limited warranty.

Dimension and specifications in literature subject to change.

Type	Job Ref.
------	----------



HBB-19M												
	DELIVERED LUMENS @ 35K		DISTRIBUTION		COLOR TEMPERATURE		CRI	REFRACTOR	REFLECTOR EXTERIOR COLOR	MOUNTING	VOLTAGE	
High Bay with Metal Refractor	-60	6233 lumens	-DX	No Optical Lens (85°)	-30K	3000K	-80	-0 19" Metal, Open	-NA	Natural Aluminum	-HK Hook -ST 6" Stem Mount -PND-HBB Pendant _____ * -CAB-C-10 Cable w/ straight cord. Adj. 2'-10' *Specify Pendant Length (e.g. -PND24)	-120/277
	-80	8103 lumens	-D25	25° Fresnel Lens	-35K	3500K	-90		-WH	White		
	-100	10128 lumens	-D60	60° Optical Lens (65°)	-40K	4000K			-BK	Black		
	-120	11998 lumens	-D90	90° Optical Lens					-BZ	Bronze		
	-160	15893 lumens	-D120	120° Optical Lens					-RAL	# _____ - Custom		
	-200	21057 lumens										



HBB-19M

Traditional High Bay, Metal Refractor

PHOTOMETRY

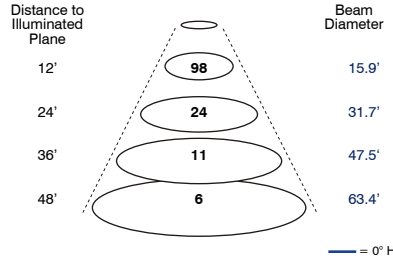
HBB-19M-160-D60 , Report No: CRT18111201006-001-001, 11/28/2018, 16,663 delivered lumens, 131 input watts, 127.20 lm/W, 3500K, 80 CRI

ZONAL LUMEN SUMMARY

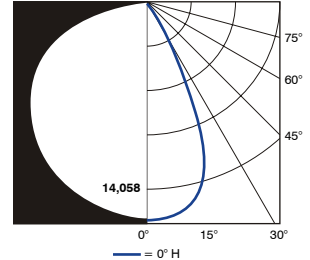
Zone	Lumens	% Luminaire
0-30	9,606.5	57.7%
0-40	13,548.4	81.3%
0-60	16,603.7	99.6%
60-90	59.1	0.4%
70-100	0	0%
90-120	0	0%
0-90	16,662.9	100%
90-180	0	0%
0-180	16,662.9	100%

CONE OF LIGHT

Initial Nadir Footcandles



CANDLEPOWER DISTRIBUTION CURVE



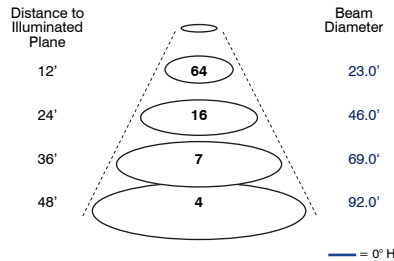
HBB-19M-160-DX , Report No: CRT1901221033-001+002-003, 01/22/2019, 16,769 delivered lumens, 131 input watts, 128.01 lm/W, 3500K, 80 CRI

ZONAL LUMEN SUMMARY

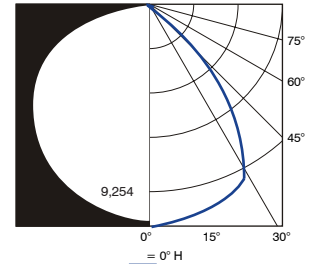
Zone	Lumens	% Luminaire
0-30	6,422.2	38.3%
0-40	10,019.9	59.8%
0-60	16,446.7	98.1%
60-90	322.7	1.9%
70-100	0.7	0%
90-120	0	0%
0-90	16,769.4	100%
90-180	0	0%
0-180	16,769.4	100%

CONE OF LIGHT

Initial Nadir Footcandles



CANDLEPOWER DISTRIBUTION CURVE



PERFORMANCE DATA

Model	Input Watts	Delivered Lumens	Efficacy (lm/W)
HBB-19M-60-D60	45	6,260	139
HBB-19M-80-DX	45	6,304	140
HBB-19M-80-D60	65	8,388	129
HBB-19M-80-DX	64	8,448	132
HBB-19M-100-D60	71	10,391	146
HBB-19M-100-DX	71	10,465	147
HBB-19M-120-D60	97	12,519	129
HBB-19M-120-DX	98	12,609	129
HBB-19M-160-D60	131	16,663	127
HBB-19M-160-DX	131	16,769	128
HBB-19M-200-D60	164	20,907	127
HBB-19M-200-DX	164	21,056	128

COLOR TEMPERATURE CONVERSIONS

Peachtree performance data is presented as delivered lumens. Standard photometric test data is based on 3500K CT and 80 CRI. For other CCTs and CRIs, use the following conversion factors:

CCT/CRI	Conversion Factor
3000K at 80 CRI	0.99
3000K at 90 CRI	0.81
3500K at 80 CRI	1.00
3500K at 90 CRI	0.83
4000K at 80 CRI	1.01
4000K at 90 CRI	0.86
5000K at 80 CRI	1.04
5000K at 90 CRI	0.89