

Type	Job. Ref.
------	-----------



EGL48

HIGH PERFORMANCE 48" Enclosed/Gasketed Linear

4000 & 6000 Lumens

PRODUCT SPECIFICATION DATA

MECHANICAL

Housing formed from impact and UV resistant UL 5VA fiberglass suitable for indoor or outdoor use.
 Poured in place non porous gasket
 Supplied with no drill mounting brackets for surface and threaded rod use. Brackets combined with supplied bails accommodate chain and cable mounts.

ELECTRICAL

Plugged access openings on each end provided for electrical connection
 0-10v 10% dimming standard

OPTICAL

Impact resistant, frosted lens for smooth distribution
 Acrylic or polycarbonate lens options

PERFORMANCE

CCT: 3000K, 3500K & 4000K @ 80+ CRI
 70% lumen maintenance at 50,000 hours based on IESNA LM-80-2008.

LISTINGS

ETL tested and listed to ANSI/UL1598 and CAN/CSA C22.2 No. 250.0-08
 Suitable for wet location
 Enclosure NSF, IP65, IP66, IP67, Nema 4x and RoHS Certified

5 Year limited warranty.

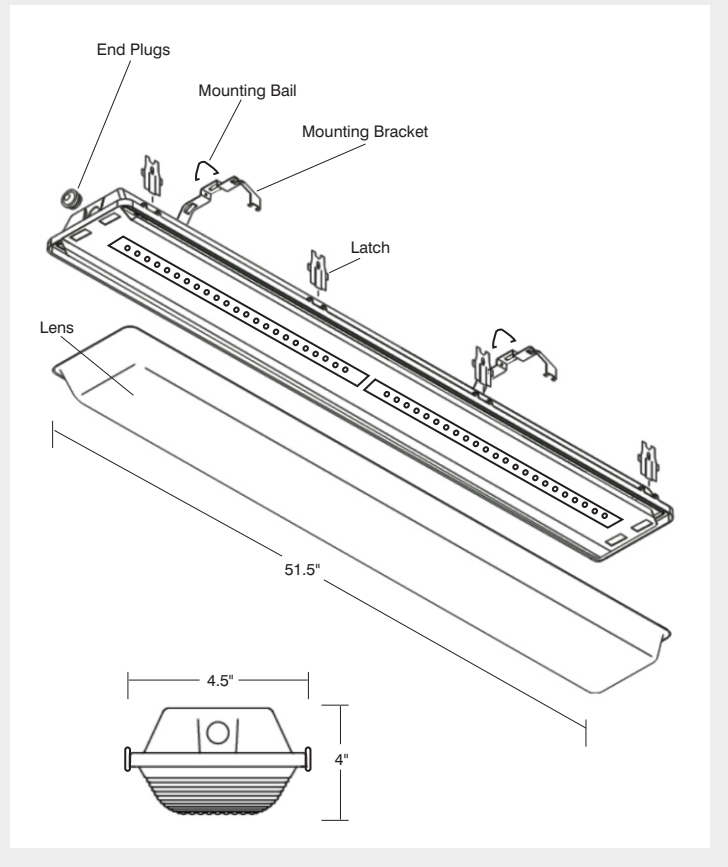


Dimensions and specifications in this literature are subject to change.



0-10v Dimming Standard

LED



	DELIVERED LUMENS @ 40K	COLOR TEMPERATURE	LENS	OPTIONS	VOLTAGE
EGL48					
48" LED Enclosed/Gasketed Linear	-60 6352 lumens -40 4002 lumens	-30K 3000 K -35K 3500 K -40K 4000 K	-FA Frosted Acrylic -FP Frosted Polycarbonate	-EMLEGL Remote Emergency Battery Backup	-120/277



© 2019 Peachtree Lighting LLC

770-787-8490 • www.peachtreelighting.com

EGL48



EGL48

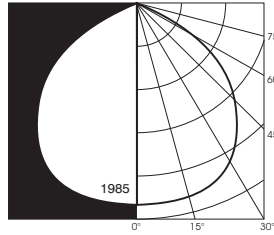
HIGH PERFORMANCE 48" Enclosed/Gasketed Linear

EGL48-60-40K

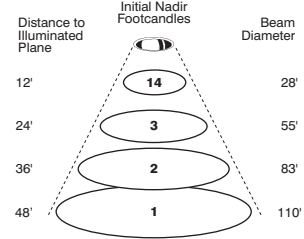
Test No: CRT1707211044-004
 Source: Linear Board
 Color Temp: 4000K
 Total Fixture Lumens: 6353
 S/MH: 1.5

Input Current
 Voltage: Watts: Amps:
 120 56 .47
 277 56 .20

**CANDLEPOWER
DISTRIBUTION CURVE**



CONE OF LIGHT

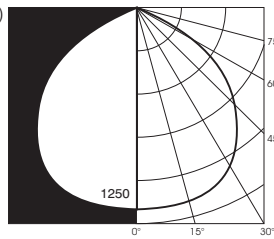


EGL48-40-40K

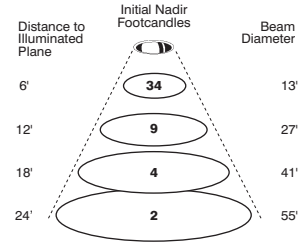
Test No: CRT1707211044-004 (calc)
 Source: Linear Board
 Color Temp: 4000K
 Total Fixture Lumens: 4002
 S/MH: 1.5

Input Current
 Voltage: Watts: Amps:
 120 45 .37
 277 45 .16

**CANDLEPOWER
DISTRIBUTION CURVE**



CONE OF LIGHT



This Peachtree LED product is baseline tested at 4000K. When 5000K is specified, the light output values will vary. Use the following chart to adjust the values for your application.

CCT LUMEN CONVERSION
5000K
1.04

