

Type	Job. Ref.
------	-----------



6BLRT

6" LED

Tilt Downlight for Sloped Ceilings

1000 - 7500 Lumens

Ideal for sloped ceiling applications.

MECHANICAL

- Lighting engine tilts from 0 to 35 degrees.
- Eliminates the need for a sloped ceiling adapter
- Tilt reflector options are field adjustable from below
- Formed 16 ga. galvanized steel ceiling pan with built-in plaster ring
- Adjustable to 1" ceiling thickness
- Bar hangars accommodate 27" span
- Sustainable - electrical components accessible through aperture.

ELECTRICAL

- Serviceable and upgradeable light engine.
- Power supply is overload and short circuit protected
- Standard dimming 0-10V to 1%
- Other dimming options available: Dim to Black and Triac

OPTICAL

- Self-flanged lower reflector

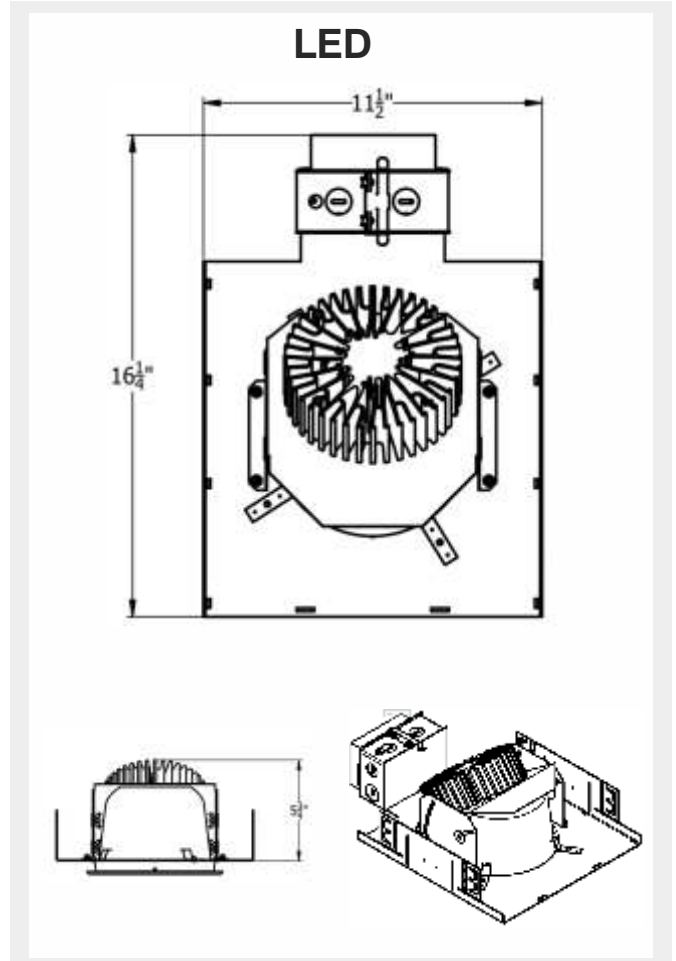
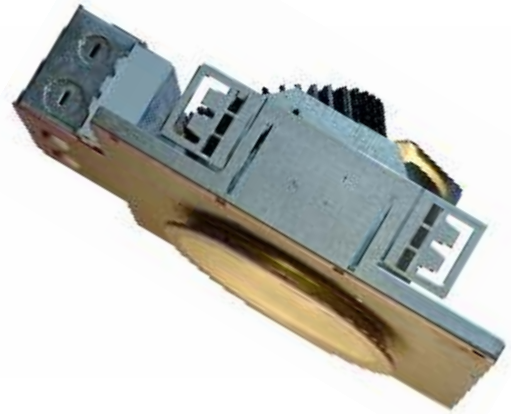
PERFORMANCE

- 1,000-7,500 delivered lumens for a variety of applications
- CCT: 3000K; 3500K; 4000K @ 80+ CRI
- 70% lumen maintenance at 50,000 hours based on IESNA LM-80-2008.

LISTINGS

- ETL tested & listed to ANSI/UL 1598 and CAN/CSA C22.2 No. 250.0-08
- Suitable for damp location

5 Year limited warranty.



Dimensions and specifications in this literature are subject to change.

	DELIVERED LUMENS @ 35K (0°)	DIMMING	COLOR TEMP	CRI	REFLECTOR	REFLECTOR OPTIONS	OPTIONS	VOLTAGE
6BLRT								
6" LED Tilt Downlight	-75	7269 lumens	-DMLV1	0-10v Dim to 1%*	-30K	3000 K	-F Fusing -EML1 Emergency Generator -GTD Transfer Device -EM Options Use Remote Test Switch	-120 -277 Voltage MUST be Specified
	-60	6015 lumens	-DMT1	Triac Dim to 1%**	-35K	3500 K		
	-50	4595 lumens	-DMB	Dim to Black (0.1%)**	-40K	4000 K		
	-36	3480 lumens	-ND No Driver (Order Remote Driver Panel (RDP) separately.)***					
	-28	2694 lumens						
	-20	1925 lumens						
	-15	1411 lumens						
	-10	1016 lumens						
		*Standard						
		**20 to -60 option ONLY						
		*** -10 to -50 ONLY						
					* Powder Coat Finish			



6BLRT



6BLRT

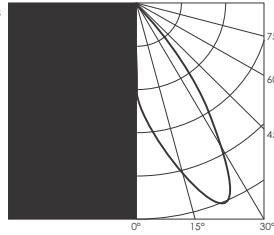
6" LED Tilt Downlight

6BLRT-75-30K-80 at 20

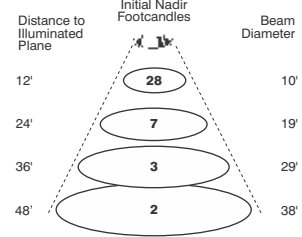
Test No: 6BLRT-75-30K-80 at 20 Degrees
 Source: Chip on Board
 Color Temp: 3000K
 Total Fixture Lumens: 7,426
 S/MH: .99

Input Current
 Voltage: Watts: Amps:
 120 82 .68
 277 82 .30

**CANDLEPOWER
DISTRIBUTION CURVE**



CONE OF LIGHT

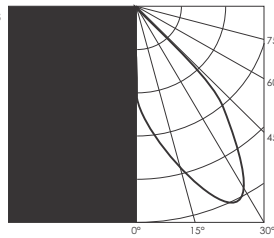


6BLRT-75-30K-80 at 35

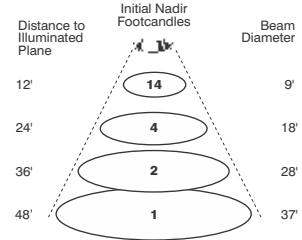
Test No: 6BLRT-75-30K-80 at 35 Degrees
 Source: Chip on Board
 Color Temp: 3000K
 Total Fixture Lumens: 7,868
 S/MH: .99

Input Current
 Voltage: Watts: Amps:
 120 82 .68
 277 82 .30

**CANDLEPOWER
DISTRIBUTION CURVE**



CONE OF LIGHT



Catalog #	Delivered Lumens at 0°	Delivered Lumens at 20°	Delivered Lumens at 35°	Input Watts
6BLRT-10	1016	1038	1100	11.5
6BLRT-15	1411	1442	1527	15.9
6BLRT-20	1925	1967	2084	21.7
6BLRT-28	2694	2752	2915	30.4
6BLRT-36	3480	3555	3767	39.3
6BLRT-50	4595	4694	4973	51.9
6BLRT-60	6015	6145	6510	67.9
6BLRT-75	7269	7426	7867	82.0

This Peachtree LED product is baseline tested at 3500K and 80+ CRI. When a warmer or cooler color temperature or 90+ CRI is specified, the light output values will vary. Use the following charts to adjust the values for your application.

CCT LUMEN CONVERSION

3000K	4000K
.98	1.04

CRI CONVERSION

90+
.88

Wattage by Lumen Package

-75 = 80.8 w	-28 = 29.9 w
-60 = 66.8 w	-20 = 21.4 w
-50 = 51.1 w	-15 = 15.7 w
-36 = 38.7 w	-10 = 11.3 w

