

Type	Job. Ref.
------	-----------



6BLRDFS

6" LED Recessed
Dead Front Shower

1800 & 2700 Lumens (Prismatic Glass)

PRODUCT SPECIFICATION DATA

MECHANICAL

Precision formed 16 ga. galvanized steel ceiling pan with built-in plaster ring

Adjustable to 1 1/2" ceiling thickness

Bar hangars accommodate 27" span

Sustainable - electrical components accessible through aperture

Non-conductive white Lexan trim ring covers all metal components

ELECTRICAL

Serviceable and upgradable light engine.

Power supply is overload and short circuit protected

Standard with 0-10V dimming (10-100%)

OPTICAL

Several lens choices for varying applications

For plastic lens options consult factory

PERFORMANCE

CCT: 3000K; 3500K; 4000K @ 80+ CRI

70% lumen maintenance at 50,000 hours based on IESNA LM-80-2008.

LISTINGS

ETL tested and listed to ANSI/UL1598 and

CAN/CSA C22.2 No. 250.0-08

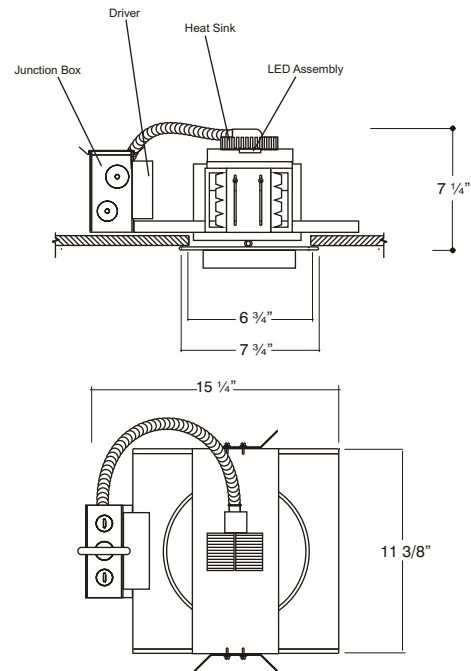
Suitable for wet location

5 Year limited warranty.



0-10v Dimming Standard

LED



Dimensions and specifications in this literature are subject to change.

	DELIVERED LUMENS -PG @ 35K	COLOR TEMPERATURE	CRI	LENS	OPTIONS	VOLTAGE
6BLRDFS						
6" LED Round Recessed Dead Front Shower	-18 1716 lumens (Prismatic Glass) -27 2699 lumens (Prismatic Glass)	-30K 3000 K -35K 3500 K -40K 4000 K	-80 -90	-PG Prismatic Tempered Glass -FA Flat Abalite -DO Drop Opal -FF Flat Fresnel (narrow beam)	-F Fusing -EML1 Emergency <i>-EM option has Remote Test Switch.</i>	-120 -277 Voltage MUST be Specified



© 2017 Peachtree Lighting LLC

770-787-8490 • www.peachtreelighting.com

6BLRDFS



6BLRDFS

6" LED
Recessed
Dead Front Shower

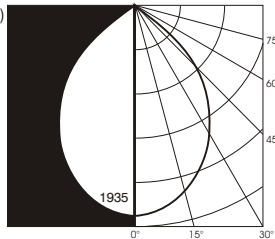
6BLRDFS-27-35-PG



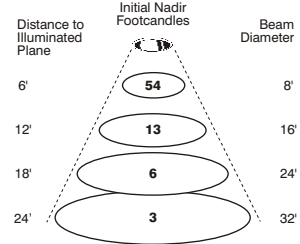
Test No: CRT1604041119-001 (calc.)
 Source: Chip on Board
 Color Temp: 3500K
 Total Fixture Lumens: 2722
 S/MH: 1.2

Input Current
 Voltage: Watts: Amps:
 120 50 0.416
 277 50 0.180

CANDLEPOWER DISTRIBUTION CURVE



CONE OF LIGHT



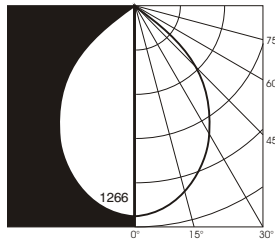
6BLRDFS-18-35-PG



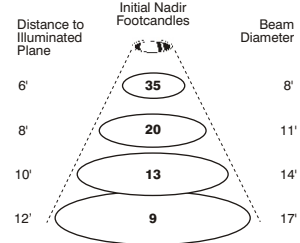
Test No: 3149 (calc.)
 Source: Chip on Board
 Color Temp: 3500K
 Total Fixture Lumens: 1744
 S/MH: 1.2

Input Current
 Voltage: Watts: Amps:
 120 39 0.324
 277 39 0.140

CANDLEPOWER DISTRIBUTION CURVE



CONE OF LIGHT



This Peachtree LED product is baseline tested at 3500K and 80+ CRI. When a warmer or cooler color temperature or 90+ CRI is specified, the light output values will vary. Use the following charts to adjust the values for your application.

CCT LUMEN CONVERSION		CRI CONVERSION
3000K	4000K	90+
.98	1.04	.88

