

Type	Job. Ref.
------	-----------



5x24LW

5" x 24" LED
Recessed Wall Wash

2400 Delivered Lumens

PRODUCT SPECIFICATION DATA

The 5x24LW "Sliver" Wall Wash is the perfect accompanying fixture to the 5x24LD downlight. Recommended starting point for placement is 2' from the wall.

MECHANICAL

Use -GR option for lay-in grid ceilings
Use -FM option for hard ceiling applications
Precision formed .050 aluminum housing
Serviceable and upgradeable lighting engine
White powder coat finish

OPTICAL

White Acrylic Diffuser
Kicker lens design redirects light to the top of the wall

ELECTRICAL

Standard with 0-10V dimming (10-100%)
Enclosed wiring compartment on end of fixture

PERFORMANCE

CCT: 3500K; 4000K @ 80+ CRI
70% lumen maintenance at 50,000 hours based on IESNA LM-80-2008.

TESTS

ETL tested and listed to ANSI/UL1598 and CAN/CSA C22.2 No. 250.0-08
Suitable for damp location
IC Rated, suitable for direct contact with insulation.

5 Year limited warranty



Dimensions and specifications in this literature are subject to change.

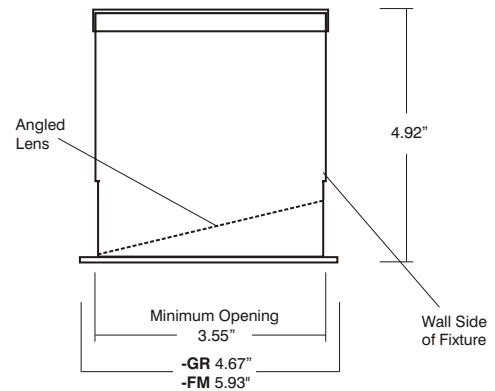
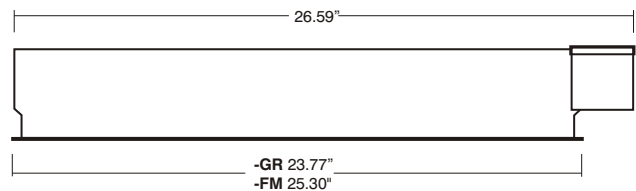
SLIVER



IC Rated

0-10v Dimming Standard

LED



	DELIVERED LUMENS @ 35K	COLOR TEMPERATURE	MOUNTING	OPTIONS	VOLTAGE
5x24LD					
5" x 24" LED Recessed Downlight	-25 2736 lumens	-35K 3500 K -40K 4000 K	-GR Lay In Grid -FM Flange Mount	-F Fusing -EML1 Remote Emergency Battery Backup	-120-277



© 2017 Peachtree Lighting LLC

770-787-8490 • www.peachtreelighting.com

5x24LW



5x24LW

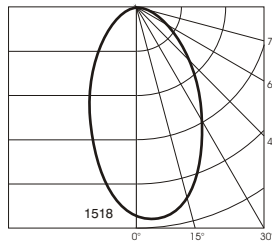
5" x 24" LED
Recessed Wall Wash

5x24LW-25-35K

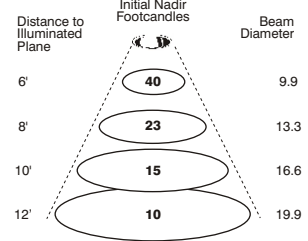
Test No: CRT1512291016-001
Source: Linear Board
Color Temp: 3500K
Total Fixture Lumens: 2396

Input Current
Voltage: Watts: Amps:
120 47 0.39
277 47 0.17

CANDLEPOWER DISTRIBUTION CURVE



CONE OF LIGHT



All Peachtree LED products are baseline tested at 3500K. When a warmer or cooler color temperature is specified, the light output values will vary. Use the following chart to adjust the values for your application.

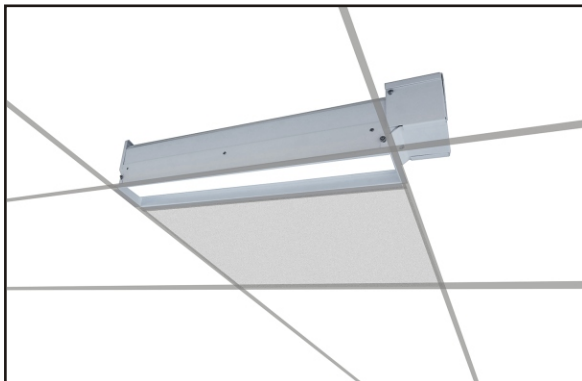
CCT LUMEN CONVERSION
4000K = 1.04

MOUNTING OPTIONS (not interchangeable)

-GR Lay in Grid



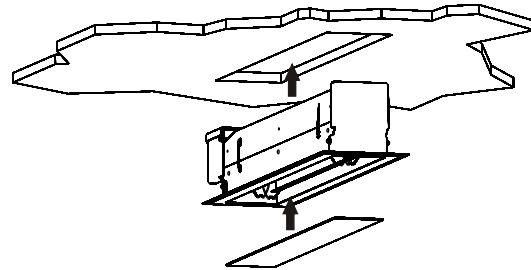
Installed Center of Tile



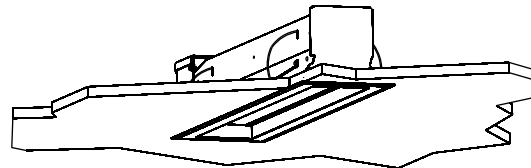
Installed Edge of Tile

-FM Flange Mount (for hard ceilings)

- 1) Cut opening in ceiling to 4.5" (±.125) x 23.5" (±.125).
- 2) Wire the unit below the ceiling surface.
- 3) With retaining springs inside the body of the unit, lift fixture into the ceiling until flange is flush at bottom.



- 4) Holding the flange flush to the ceiling surface, reach inside the fixture and push each of the 4 retainer springs outside the body of the fixture until each locks in place holding the flange securely to the ceiling surface.



- 5) Insert lens into bottom of the fixture at an angle and drop into place resting on the metal ledges in the unit.