



4CLRD-IC

4" IC-Rated LED
Small Aperture Downlight

800 to 2,000 Lumens

Designed for general illumination to gain visual comfort, soft even lighting and traditional form factors. Ideal for use in office spaces, conference rooms, schools and universities, as well as multi-family and high-end residential.

MECHANICAL

- New construction housing
- Rated for insulated ceilings
- Mounting options for grid ceilings or hard ceilings
- Accommodates up to 3/4" ceiling thickness
- Bar hangers accommodate 26" span

OPTICAL

- CCTs: 3000K, 3500K, 4000K at 80 CRI.
- Diffusion lens masks direct view of LEDs.

ELECTRICAL

- Removable modular light engines and drivers for service from below.
- Power supply is overload and short circuit protected
- Standard with 0-10V dimming to 1%.

LISTINGS

- ETL tested and listed to ANSI/UL1598 and CAN/CSA C22.2 No. 250.0-08
- Suitable for damp location, covered ceiling.

Consult factory for alternative configurations.
5-year warranty of LED and electrical components.
See Peachtree terms for details.
70% lumen maintenance at 50,000 hours based on IESNA LM-80-2008

Dimension and specifications in literature subject to change.

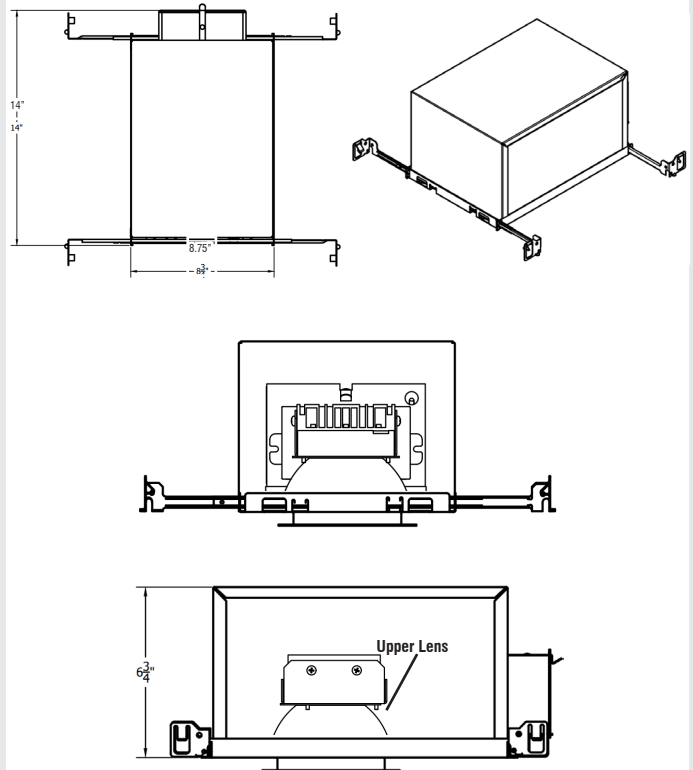
Type	Job Ref.
------	----------

4-inch Small Aperture Downlight



4CLRD-IC

4CLRD-IC DIMENSIONS



4CLRD-IC

	DELIVERED LUMENS @ 35K	DIMMING	COLOR TEMPERATURE	CRI	REFLECTOR	TRIM RING	OPTIONS	VOLTAGE
Small Aperture Downlight	-08 830 lumens	-DMLV1 0-10v Dim to 1%* *Standard	-30K 3000K	-80	-SH Soft Haze (60°) -W Matte White (60°)	-TRW Trim Ring White	-F Fusing -EML1 Emergency -GTD Generator Transfer Device	-120 -277 Must be specified.
	-12 1221 lumens		-35K 3500K			-TRB Trim Ring Black		
	-20 1953 lumens		-40K 4000K					



4CLRD-IC



4CLRD-IC

Small Aperture Downlight

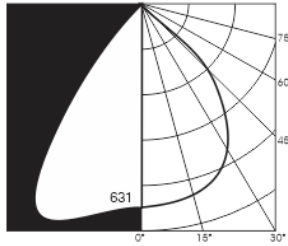
PHOTOMETRY

4CLRD-IC-08-35K-SH

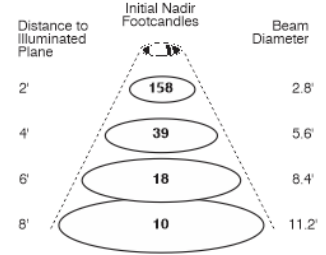
Test No: CRT1909200924-001001+004
 Source: Chip on Board
 Color Temp: 3500K
 Total Fixture Lumens: 783
 S/MH: 99

Input Current
 Voltage: Watts: Amps:
 120 9.1 .08
 277 9.1 .03

CANDLEPOWER DISTRIBUTION CURVE



CONE OF LIGHT

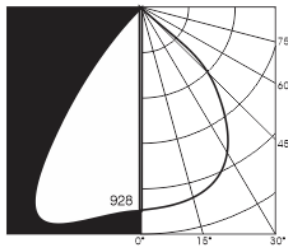


4CLRD-IC-12-35K-SH

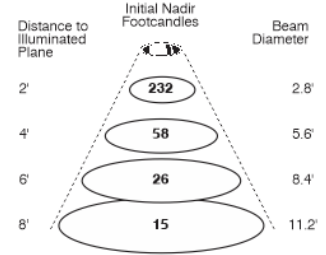
Test No: CRT1909200924-001001+004
 Source: Chip on Board
 Color Temp: 3500K
 Total Fixture Lumens: 1151
 S/MH: 99

Input Current
 Voltage: Watts: Amps:
 120 13.4 .11
 277 13.4 .05

CANDLEPOWER DISTRIBUTION CURVE



CONE OF LIGHT

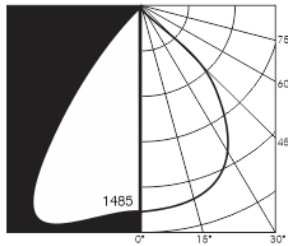


4CLRD-IC-20-35K-SH

Test No: CRT1909200924-001001+004
 Source: Chip on Board
 Color Temp: 3500K
 Total Fixture Lumens: 1842
 S/MH: 99

Input Current
 Voltage: Watts: Amps:
 120 21.4 .18
 277 21.4 .08

CANDLEPOWER DISTRIBUTION CURVE



CONE OF LIGHT

